

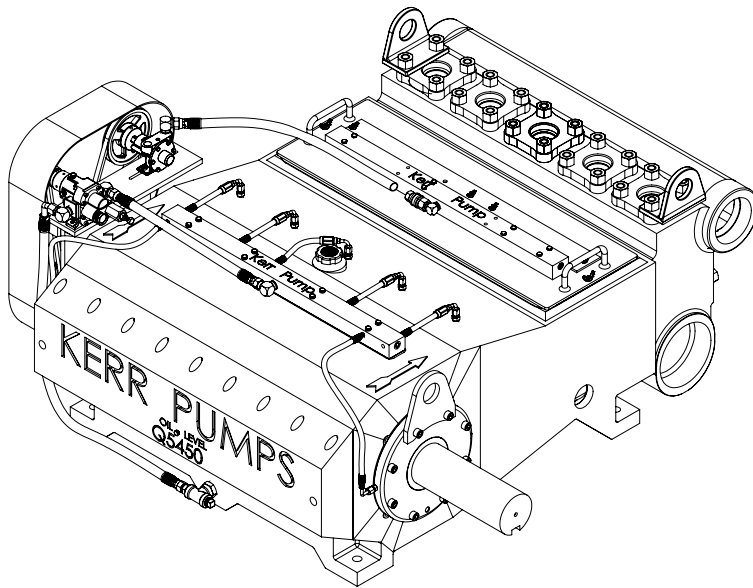
KERR

PUMPS

Q5450DPT

288 BHP Quintuplex Piston Pump

Intermittent Duty



SPECIFICATIONS

| | |
|------------------------------------|--|
| Configuration | Horizontal Quintuplex Plunger |
| Number of Pistons | 5 |
| Stroke Length | 4.5" / 114.3 mm |
| Frame Load Rating | 12,183 lbs |
| Fluid Cylinder Pressure Rating | 2,160 PSI |
| Pump Weight (Avg.) | 4,100 lbs / 1,860 kilos |
| Kerr Max Speed | 375 RPM |
| Minimum Speed | 100 RPM |
| Mechanical Efficiency (Bare Shaft) | 90% |
| Lube System (Standard) | Splash - Gravity Feed |
| Lube System (Optional) | Force Feed |
| Lube Oil Capacity | 22.5 gallons / 85.2 liters |
| Lube Oil Type | Petroleum per AGMA 5EP (ISO 220) or Synthetic per SAE 75W-90 (ISO 100) |
| Connection Sizes | 6" NPT Suction 4" NPT Discharge |

FLUID END

| |
|--------------------------------------|
| Cast Ductile Iron |
| Other materials available on request |
| |
| |
| |
| |
| |

VALVES

| | |
|--------------------------------|--|
| WING GUIDED | |
| 17-4 HT / AR Urethane Inserted | |
| | |
| | |
| | |
| | |

PISTONS / LINERS

| |
|----------------------------------|
| Rubber / Ceramic Sleeved |
| Rubber / Chrome Plated-Sleeved |
| Rubber / Kerramic (Ceramic) Coat |
| |
| |
| |
| |
| |

* Consult Factory for Authorized Drawings for Dimensions

1) Displacement is based on 100% Volumetric Efficiency (VE)

2) Consult factory for operating speeds above maximum shown

3) 1 US gallon = 3.78541 liters

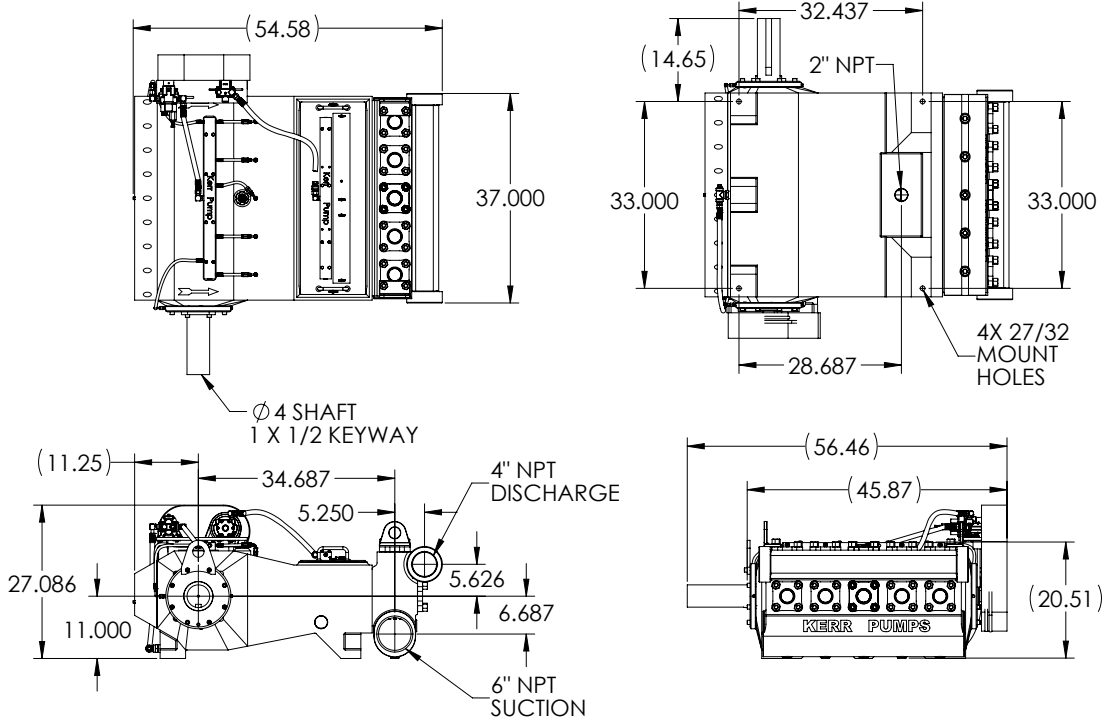
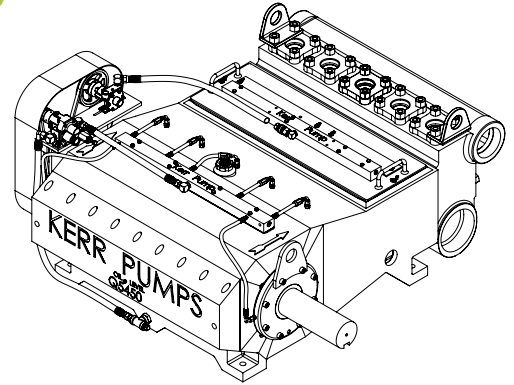
KERR

PUMPS

Q5450DPT

288 BHP Quintuplex Piston Pump

Intermittent Duty



| PISTON DIA. INCHES | MAX PRESS. PSI | DISP GAL PER REV | DISPLACEMENT | | | | | | | | | | | | | | | | | |
|--------------------|----------------|------------------|--------------|------|---------|------|---------|------|---------|-------|---------|-------|---------|-------|---------|-------|---------|-------|---------|-------|
| | | | 100 RPM | | 130 RPM | | 160 RPM | | 190 RPM | | 226 RPM | | 253 RPM | | 285 RPM | | 325 RPM | | 375 RPM | |
| | | | GPM | BPD | GPM | BPD | GPM | BPD | GPM | BPD | GPM | BPD | GPM | BPD | GPM | BPD | GPM | BPD | GPM | BPD |
| 3.500 | 1266 | 0.9371 | 93.7 | 3214 | 122 | 4179 | 150 | 5143 | 178 | 6107 | 212 | 7264 | 237 | 8132 | 267 | 9161 | 305 | 10447 | 351 | 12054 |
| 3.750 | 1103 | 1.0758 | 108 | 3690 | 140 | 4797 | 172 | 5904 | 204 | 7011 | 243 | 8339 | 272 | 9335 | 307 | 10516 | 350 | 11992 | N / A | |
| 4.000 | 969 | 1.2240 | 122 | 4198 | 159 | 5458 | 196 | 6717 | 233 | 7977 | 277 | 9488 | 310 | 10622 | 349 | 11965 | N / A | | N / A | |
| 4.250 | 859 | 1.3818 | 138 | 4739 | 180 | 6161 | 221 | 7583 | 263 | 9005 | 312 | 10711 | 350 | 11991 | N / A | | N / A | | N / A | |
| 4.500 | 766 | 1.5491 | 155 | 5313 | 201 | 6908 | 248 | 8502 | 294 | 10096 | 350 | 12008 | N / A | | N / A | | N / A | | N / A | |

* Consult Factory for Authorized Drawings for Dimensions

1) Displacement is based on 100% Volumetric Efficiency (VE)

2) Consult factory for operating speeds above maximum shown

3) 1 US gallon = 3.78541 liters