

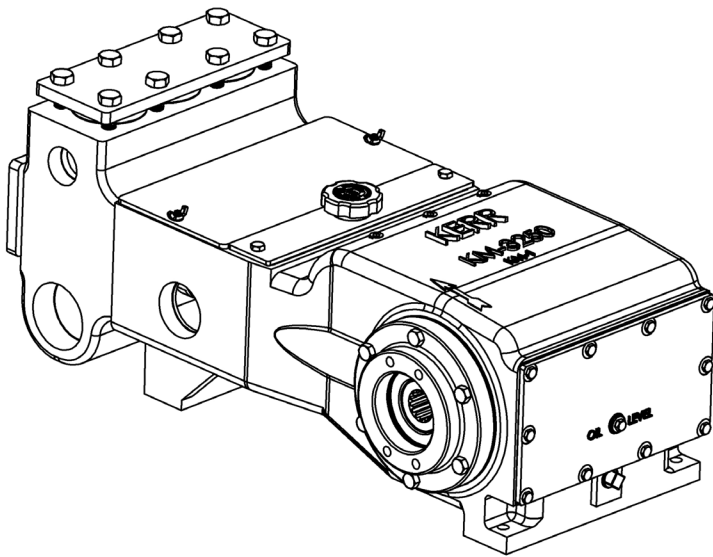
# KERR

## PUMPS

### KM-3300SHPT

47.2 BHP Triplex Piston Pump

Intermittent Duty



GENERAL DIMENSIONS FOR KM-3250SHPT

### SPECIFICATIONS

|                                    |   |
|------------------------------------|---|
| Configuration                      | Horizontal Triplex Piston   |
| Number of Pistons                  | 3   |
| Stroke Length                      | 3" / 76.2 mm  |
| Frame Load Rating                  | 3,978 lbs   |
| Fluid Cylinder Pressure Rating     | 3,600 PSI   |
| Pump Weight (Avg.)                 | 340 lbs / 155 kilos   |
| Kerr Max Speed                     | 470 RPM   |
| Minimum Speed                      | 100 RPM   |
| Mechanical Efficiency (Bare Shaft) | 90%   |
| Lube System (Standard)             | Splash - Gravity Feed   |
| Lube System (Optional)             | Force Feed  |
| Lube Oil Capacity                  | 4 quarts / 3.785 liters   |
| Lube Oil Type                      | Pertroleum per AGMA 5EP (ISO 220) or Synthetic per SAE 75W-90 (ISO 100) |
| Connection Sizes                   | 2 1/2" NPT Suction<br>1 1/4" NPT Discharge                              |

### FLUID END

|                                      |
|--------------------------------------|
| Cast Ductile Iron                    |
| Other materials available on request |
|                                      |
|                                      |
|                                      |
|                                      |
|                                      |

### VALVES

|                                |  |
|--------------------------------|--|
| WING GUIDED                    |  |
| 17-4 HT / AR Urethane Inserted |  |
|                                |  |
|                                |  |
|                                |  |
|                                |  |
|                                |  |

### PISTONS / LINERS

|                                   |
|-----------------------------------|
| Rubber / Ceramic Sleeved          |
| Rubber / Chrome Plated-Sleeved    |
| Rubber / Kerramic (Ceramic) Coat  |
| Run-Dry / Ceramic Sleeved         |
| Run-Dry / Chrome Plated-Sleeved   |
| Run-Dry / Kerramic (Ceramic) Coat |
| HSN / Ceramic Sleeved             |
| HSN / Chrome Plated-Sleeved       |
| HSN / Kerramic (Ceramic) Coat     |

\* Consult Factory for Authorized Drawings for Dimensions

1) Displacement is based on 100% Volumetric Efficiency (VE)

2) Consult factory for operating speeds above maximum shown

3) 1 US gallon = 3.78541 liters

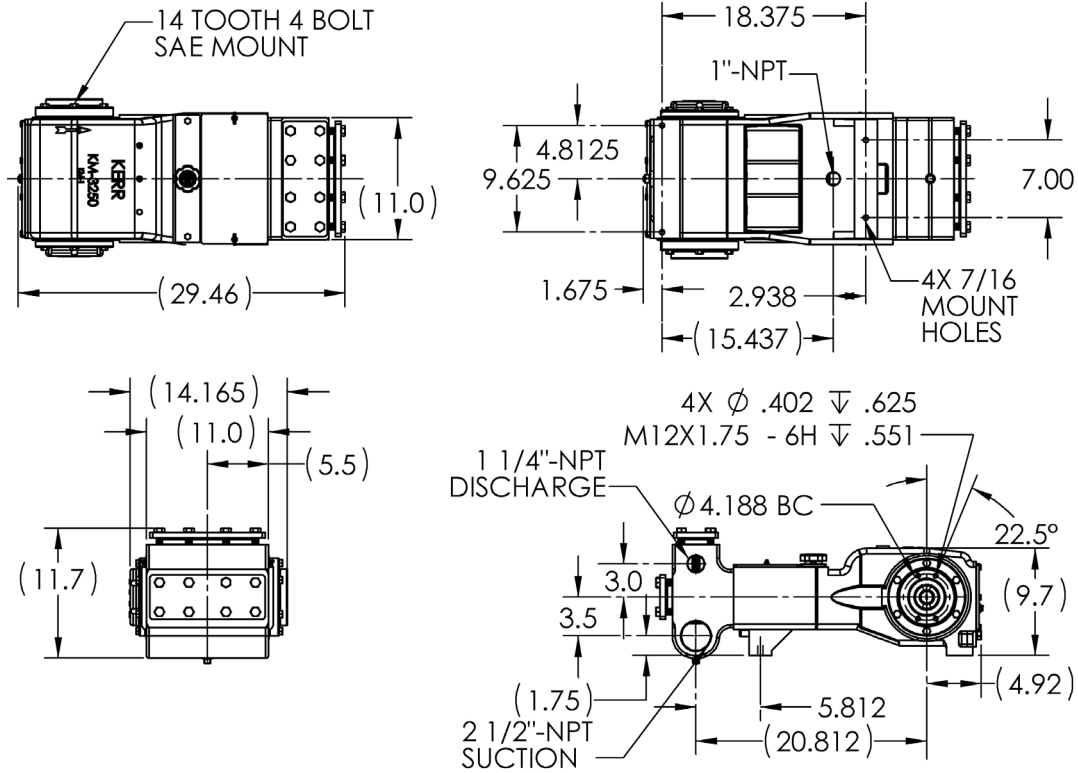
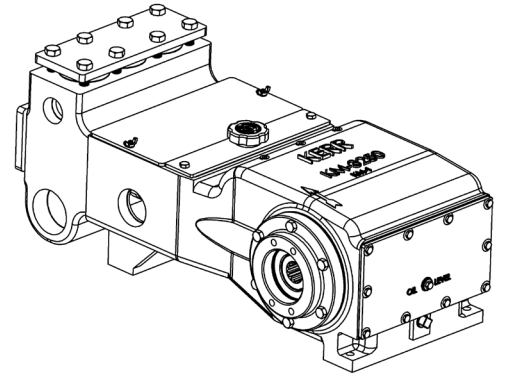
# KERR

## PUMPS

### KM-3300SHPT

47.2 BHP Triplex Piston Pump

Intermittent Duty



### GENERAL DIMENSIONS FOR KM-3250SHPT

| PIST DIA.<br>INCHES | MAX<br>PRESS<br>PSI | DISP GAL<br>PER REV | DISPLACEMENT |     |            |     |            |      |            |      |            |      |            |      |            |      |            |      |            |      |
|---------------------|---------------------|---------------------|--------------|-----|------------|-----|------------|------|------------|------|------------|------|------------|------|------------|------|------------|------|------------|------|
|                     |                     |                     | 100<br>RPM   |     | 155<br>RPM |     | 200<br>RPM |      | 245<br>RPM |      | 290<br>RPM |      | 335<br>RPM |      | 380<br>RPM |      | 425<br>RPM |      | 470<br>RPM |      |
|                     |                     |                     | GPM          | BPD | GPM        | BPD | GPM        | BPD  | GPM        | BPD  | GPM        | BPD  | GPM        | BPD  | GPM        | BPD  | GPM        | BPD  | GPM        | BPD  |
| 1.500               | 2251                | 0.0688              | 6.9          | 236 | 10.7       | 366 | 13.8       | 472  | 16.9       | 579  | 20.0       | 685  | 23.1       | 791  | 26.2       | 897  | 29.3       | 1004 | 32.4       | 1110 |
| 1.750               | 1654                | 0.0937              | 9.4          | 321 | 14.5       | 498 | 18.7       | 643  | 23.0       | 788  | 27.2       | 932  | 31.4       | 1077 | 35.6       | 1221 | 39.8       | 1366 | 44.0       | 1511 |
| 2.000               | 1266                | 0.1224              | 12.2         | 420 | 19.0       | 651 | 24.5       | 840  | 30.0       | 1029 | 35.5       | 1218 | 41.0       | 1406 | 46.5       | 1595 | 52.0       | 1784 | 57.5       | 1973 |
| 2.250               | 1000                | 0.1549              | 15.5         | 531 | 24.0       | 824 | 31.0       | 1063 | 38.0       | 1302 | 44.9       | 1541 | 51.9       | 1780 | 58.9       | 2019 | 65.8       | 2258 | 72.8       | 2497 |

\* Consult Factory for Authorized Drawings for Dimensions

1) Displacement is based on 100% Volumetric Efficiency (VE)

2) Consult factory for operating speeds above maximum shown

3) 1 US gallon = 3.78541 liters