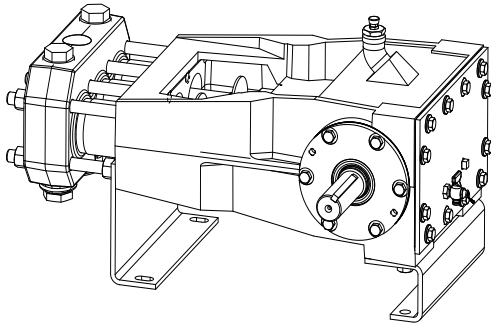


## L0614SC Pump Data

52 BHP Intermittent Duty



### Specifications

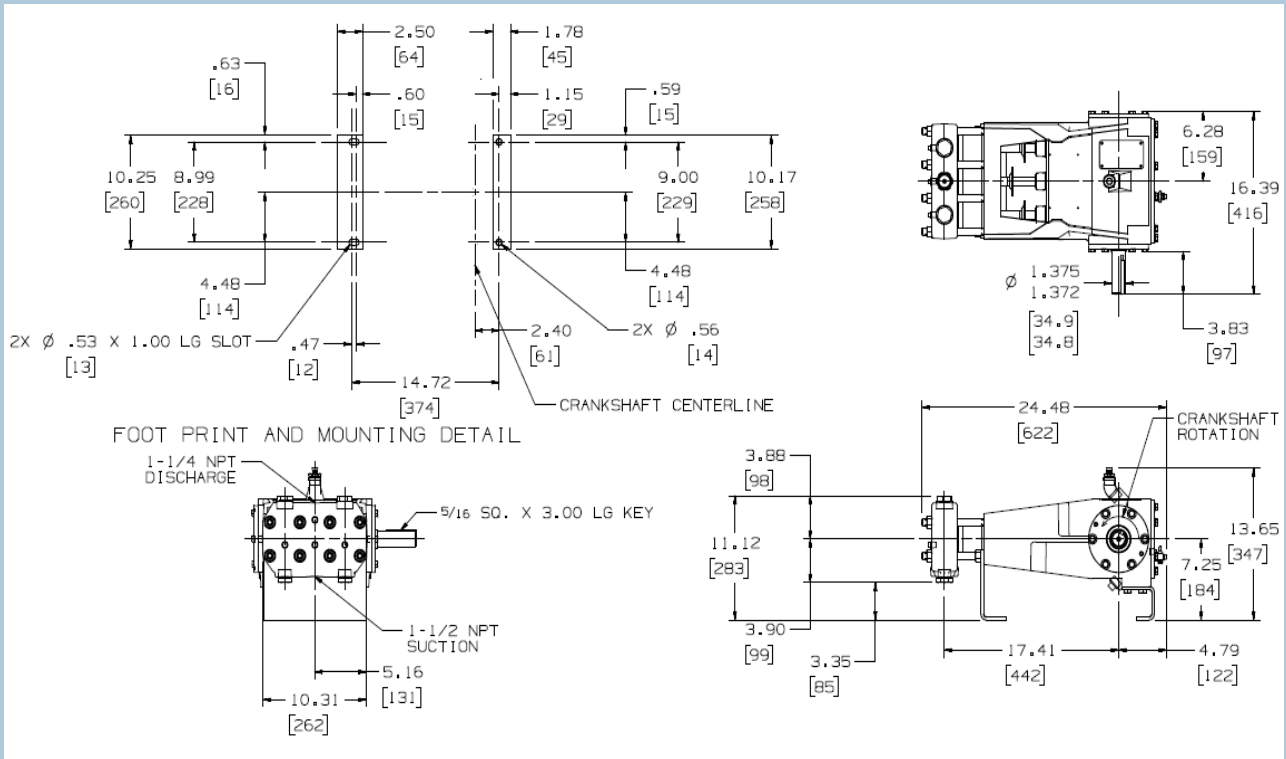
|                                |                          |
|--------------------------------|--------------------------|
| Pump Model                     | L0614SC                  |
| Configuration                  | Horizontal Triplex       |
| Number of Pistons              | 3                        |
| Stroke Length                  | 1.5 Inches               |
| Frame Load Rating              | 2,800 lbs                |
| Pump Weight (Average)          | 178 lbs                  |
| Direction of Rotation          | Top of shaft toward head |
| Internal Gear Ratio            | NA                       |
| Intermittent Duty Speed Rating | 855 RPM                  |
| Minimum Speed                  | 100 RPM                  |
| Mechanical Efficiency          | 90%                      |
| Lubrication System (Standard)  | Splash, Gravity Return   |
| Lube Oil Capacity              | 2.5 Quarts               |
| Lube Oil Type                  | SAE 30                   |
| Standard Suction Size          | 1.50 Inch NPT            |
| Standard Discharge Size        | 1.25 Inch NPT            |
| Fluid End Material             | Ductile Iron             |
| Valve Types                    | Disc Valves              |
|                                |                          |
|                                |                          |
|                                |                          |
|                                |                          |

### Performance Table

| Pump Model  | Piston Diameter (in) | Displacement (GAL/REV) | Maximum Pressure (PSI) | Pump Capacity (GPM) @ Input Speed (RPM) |         |         |         |             |
|---|----------------------|------------------------|------------------------|---|---------|---------|---------|-------------|
|   |                      |                        |                        | 100 RPM                                 | 250 RPM | 500 RPM | 750 RPM | 855 RPM     |
| L0614SC   | 1.750                | 0.0469                 | 2,000                  | 4.7                                     | 11.7    | 23.4    | 35.1    | <b>40.1</b> |
| <p>* Horsepower based on 85 or 90% mechanical efficiency. Actual application horsepower requirements can be calculated using the equation: <math>BHP = (GPM * PSI) / (1714 * 0.85 \text{ or } 0.90)</math></p> <p>* Pump capacities shown are based on 100% volumetric efficiency.</p> <p>* Dimensions shown are for general sizing purposes and should not be used for construction. Contact FMC for actual dimensions of pump ordered.</p> <p>* FMC reserves the right to modify this information without prior notice.</p> |                      |                        |                        |   |         |         |         |             |

## Lo6

### Cast Pump Engineering Dimensional Outline



- FMC recommends NPSHa (available) exceeds NPSHr (required) by 5 feet of water.
- Take special consideration when calculating NPSHa. Recalculate NPSHa after pump model has been selected for more accurate values.
- NPSHr values are in feet of water. If you are pumping a different liquid than water, convert the required NPSH from water to the liquid being pumped by dividing the published NPSHr value by the specific gravity of the liquid being pumped.
- FMC published NPSHr values are based on test data collected on specific pumps at the factory and are estimated values. Actual NPSHr values for an ordered pump can only be determined by a factor test. For NPSH critical applications, contact the factory for additional information and request an NPSHr test performed on your pump before shipment.
- Pump drawing dimensions in inches.