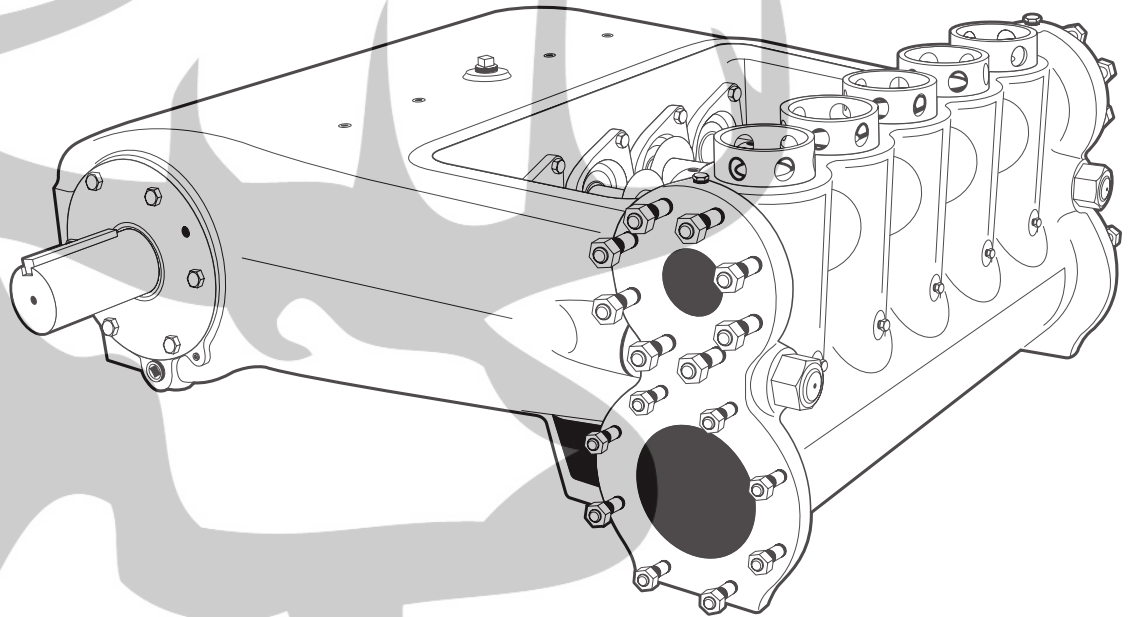




## MYERS® APLEX SERIES



# MODEL MA-300 QUINTUPLEX PUMPS

## INSTALLATION AND SERVICE MANUAL

NOTE! To the installer: Please make sure you provide this manual to the owner of the equipment or to the responsible party who maintains the system.

---

**Engineering Data**

MA-300L Engineering Data .....	3
MA-300M Engineering Data .....	4
MA-300L General Dimension Drawing .....	5
MA-300M General Dimension Drawing .....	6

**Installation, Operation, Lubrication, Maintenance and Storage Instructions**

Safety .....	7
Storage .....	7
Pump Location and Piping Design .....	7
Suction Piping .....	7 – 8
Acceleration Head .....	8
Discharge Piping .....	8
Bypass Piping .....	8 – 9
Lubrication .....	9
V-Belt Drive .....	9, 11
Suggested Piping System for Plunger Pump .....	10
Direction of Rotation .....	11
Automatic (Safety) Shutdowns .....	11

**Crankshaft Assembly**

General .....	11
Tapered Roller Bearings .....	11
Cup Installation .....	12

**Installing Crankshaft**

General .....	12
Shim Adjustment of Tapered Roller Bearings .....	12
Installation of Crankshaft Oil Seal .....	12
Lube Oil Pump Assembly .....	12
Disassembly .....	12 – 13

**Connecting Rod, Crosshead, Extension Rod, Crosshead Pin and Wiper Box and Disassembly**

General .....	13
Installing Wrist Pin Bushings .....	13 – 14
Bolting the Wrist Pin .....	14
Order of Assembly .....	14 – 15
Oil Scoop .....	15

**Wiper Box Assembly**

General .....	15
Double-Lipped Wiper Seal .....	15
Double-Lipped Canned Wiper .....	15
Inserting the Extension Rod .....	15

**Stuffing Box, Packing and Plunger Assemblies**

General .....	16
Spring Loaded Packing .....	16
J-Style Stuffing Box and Plunger Assembly (Styles 838 and 858) .....	16 – 17
Inserting the Plunger .....	17
Installing the Gland .....	17
Installing the Stuffing Box .....	17
Connecting the Plunger .....	17
Packing .....	18
Plungers .....	18

**Disc Valve Systems and Abrasion Resistant**

General .....	18
Disc Valve Construction .....	18 – 19
Setting the Valve Seat .....	19
Installing O-Rings, Abrasion Resistant Spring and Cage .....	19
Installing Disc, Spring, Disc Valves And Stem .....	19
Valve Spring Options .....	19
Valve Disc Options .....	20
Pulling the Valve Seat .....	20
Salvage of Worn Seats .....	20
Other Pump Brands .....	20

**Trouble Location and Remedy .....** 21 – 23**Illustrated Parts Breakdown**

Power Frame Parts List .....	24
Crankshaft Parts List .....	25

**Lube Assembly Parts List**

Lube Assembly 5" Stroke .....	26
-------------------------------	----

**Fluid End Assembly Parts List**

Nickel, Aluminum, Bronze .....	27
--------------------------------	----

**Stuffing Box Assembly Parts List**

Nickel, Aluminum, Bronze .....	28
--------------------------------	----



<b>MA-300L ENGINEERING DATA</b>	
<b>Overall Dimensions and Weight</b>	
Length	60.38"
Width	62.13"
Height	22.88"
Weight	5,000 lbs.
<b>Power End</b>	
Rated Continuous Plunger Load	10,700 lbs.
Maximum Rated Continuous Speed	400 rpm
Normal Continuous Speed Range	150 to 400 rpm
Minimum Speed	100 rpm
Oil Capacity	62 U.S. Quarts
Power End Oiling System	Pressure Lubrication System
Power Frame, One-Piece	Cast Iron
Crosshead, Full Cylindrical	Cast Iron
Crosshead, Diameter x Length	5-3/4" x 6-3/16"
Crankshaft	Ductile Iron
Crankshaft Diameter at Tapered Roller Bearings	4-3/4"
Crankshaft Diameter at Crankpin Bearings, Diameter x Length	4-1/2" x 3-3/4"
Crosshead (Wrist) Pin, Case-Hardened and Ground	AISI 8620
Main Bearings, Tapered Roller	Timken
Crankpin Bearings, Precision Automotive	Steel Backed, Babbitt-Lined
Extension (Pony) Rod, Integral with Plungers	17-4 PH SS
Connecting Rod, Automotive Type	Ductile Iron
Average Crosshead Speed at 450 rpm	333 fpm
Minimum Life Expectancy, Main Bearings, L <sub>10</sub>	65,000+ hr.

<b>MA-300L ENGINEERING DATA</b>	
<b>Liquid End</b>	
Maximum Continuous Working Pressure	1,480 psi
Hydrostatic Test	2,220 psi
Available Liquid End Materials, ASTM	
Nickel Aluminum Bronze Casting	.B148-C955
Carbon Steel Block	A516
Stainless Steel Block	Various Grades
Plunger Type	Various Materials
Stuffing Boxes, Field-Removable and Replaceable	Nickel Aluminum Bronze, Optional Carbon Steel
Packing Types Available:	
Gland-Loaded, Nonadjustable	Style 838
Spring-Loaded, Braided Teflon® and Kevlar®	Style 140, 8921K
Spring-Loaded, V-Type	Style 120X
Valve Cover and Cylinder Head Plugs	316 SS
Retainer Plates, Ductile Iron, ASTM	A536 80-55-06
Seals (for Stuffing Boxes, Valve Covers, Cylinder Heads)	Buna-N
Disc Valve Types:	
Regularly Furnished, Acetal Resin	Delrin®
Optional, Hardened and Lapped	17-4 PH SS
Valve Spring Material	Inconel®
Valve Seat, Liquid Passage Areas	6.54 sq. in.
Average Liquid Velocity with 4" plungers @ 400 rpm	
Through Valves	10.7 fps
Through Suction Manifold	3.5 fps
Through Discharge Manifold	13.9 fps

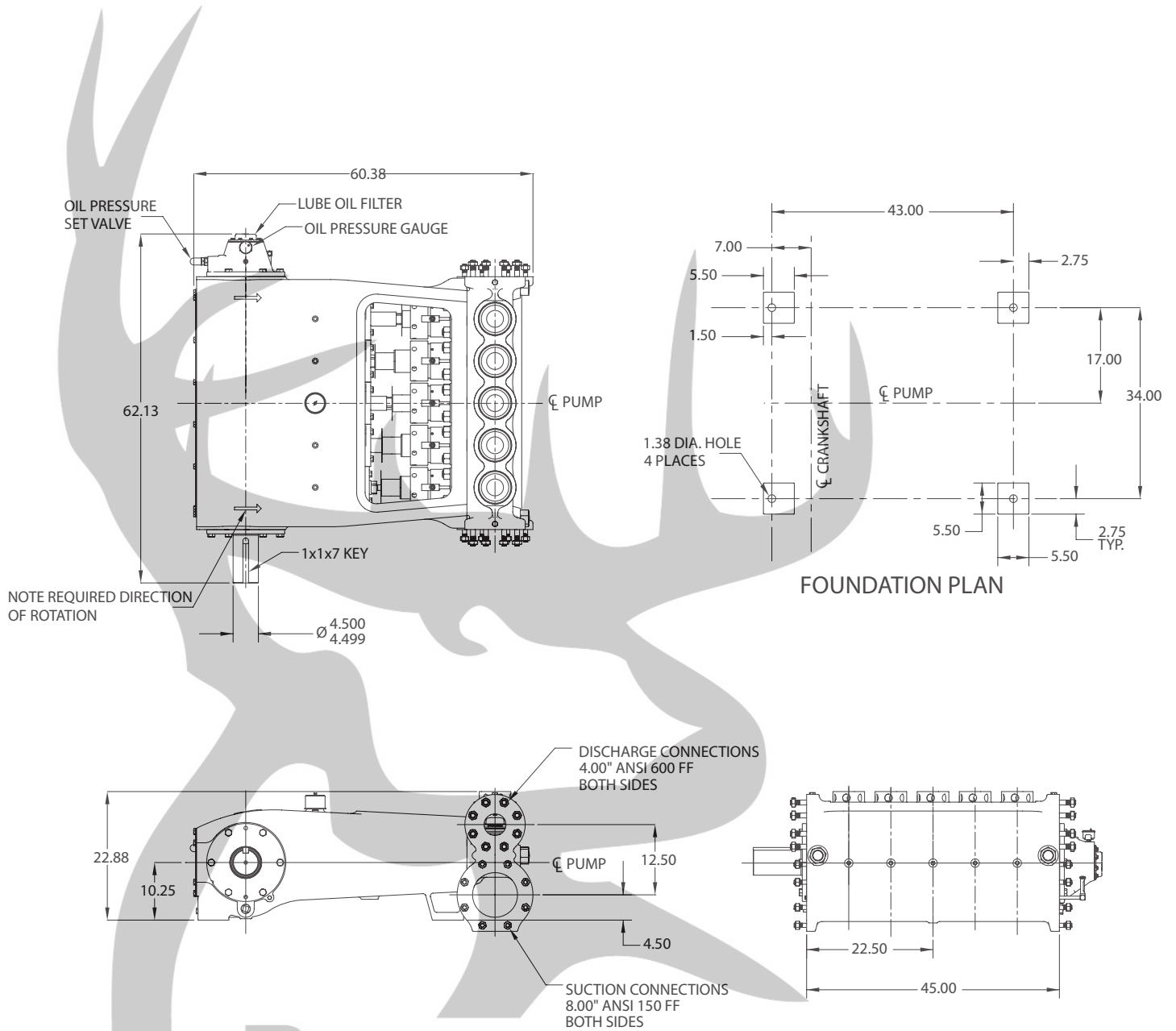
**BUCKHORN  
PUMPS, INC.**

<b>MA-300M ENGINEERING DATA</b>	
<b>Overall Dimensions and Weight</b>	
Length	58.63"
Width	62.13"
Height	22.31"
Weight	4,680 lbs.
<b>Power End</b>	
Maximum Input HP at Speed	300 @ 400 rpm
Rated Continuous Plunger Load	10,700 lbs.
Maximum Rated Continuous Speed	400 rpm
Normal Continuous Speed Range	150 to 400 rpm
Minimum Speed	100 rpm
Oil Capacity	62 U.S. Quarts
Power End Oiling System	Pressure Lubrication System
Power Frame, One-Piece	Cast Iron
Crosshead, Full Cylindrical	Cast Iron
Crosshead, Diameter x Length	5-3/4" x 6-3/16"
Crankshaft	Ductile Iron
Crankshaft Diameter at Tapered Roller Bearings	4-3/4"
Crankshaft Diameter at Crankpin Bearings, Diameter x Length	4-1/2" x 3-3/4"
Crosshead (Wrist) Pin, Case-Hardened and Ground	AISI 8620
Main Bearings, Tapered Roller	Timken
Crankpin Bearings, Precision Automotive	Steel Backed, Babbitt-Lined
Extension (Pony) Rod, Integral with Plungers	17-4PH SS
Connecting Rod, Automotive Type	Ductile Iron
Average Crosshead Speed @ 450 rpm	333 fpm
Minimum Life Expectancy, Main Bearings, L <sub>10</sub>	65,000+ hr.

<b>MA-300M ENGINEERING DATA</b>	
<b>Liquid End</b>	
Maximum Continuous Working Pressure	3,600 psi
Hydrostatic Test	5,558 psi
Available Liquid End Materials, ASTM	
Nickel Aluminum Bronze Casting	.B148-C955
Carbon Steel Block	A516
Stainless Steel Block	Various Grades
Plunger Type	Various Materials
Stuffing Boxes, Field-Removable and Replaceable	Nickel, Aluminum, Bronze; Optional Carbon Steel
Packing Types Available:	
Gland-Loaded, Nonadjustable	Style 838
Spring-Loaded, Braided Teflon® and Kevlar®	Style 140, 8921K
Spring-Loaded, V-Type	Style 120X
Valve Cover and Cylinder Head Plugs	316 SS
Retainer Plates, Ductile Iron, ASTM	A536 80-55-06
Seals (for Stuffing Boxes, Valve Covers, Cylinder Heads)	Buna-N
Disc Valve Types:	
Regularly Furnished, Acetal Resin	Delrin®
Optional, Hardened and Lapped	17-4PH SS
Valve Spring Material	Inconel®
Valve Seat, Liquid Passage Areas	3.86 sq. in.
Average Liquid Velocity with 2-7/8" plungers at 400 rpm	
Through Valves	10.8 fps
Through Suction Manifold	3.2 fps
Through Discharge Manifold	12.7 fps

**BUCKHORN  
PUMPS, INC.**

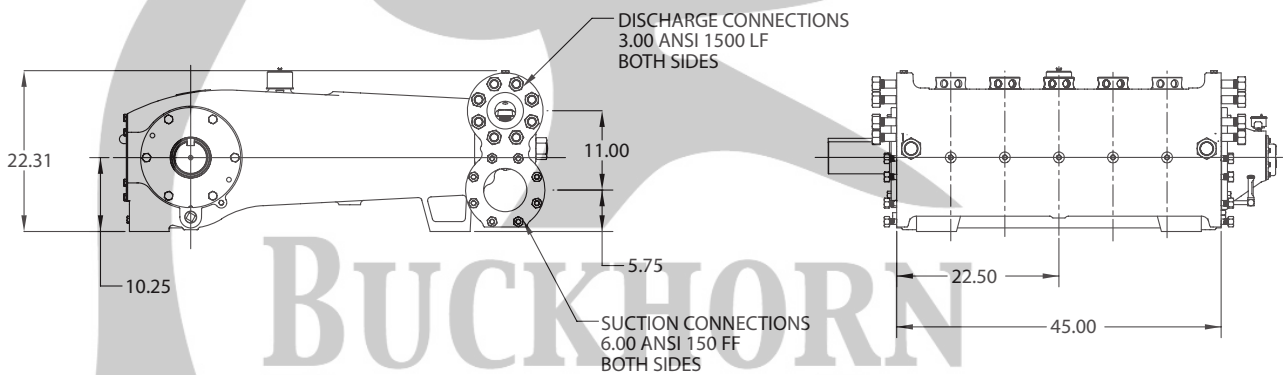
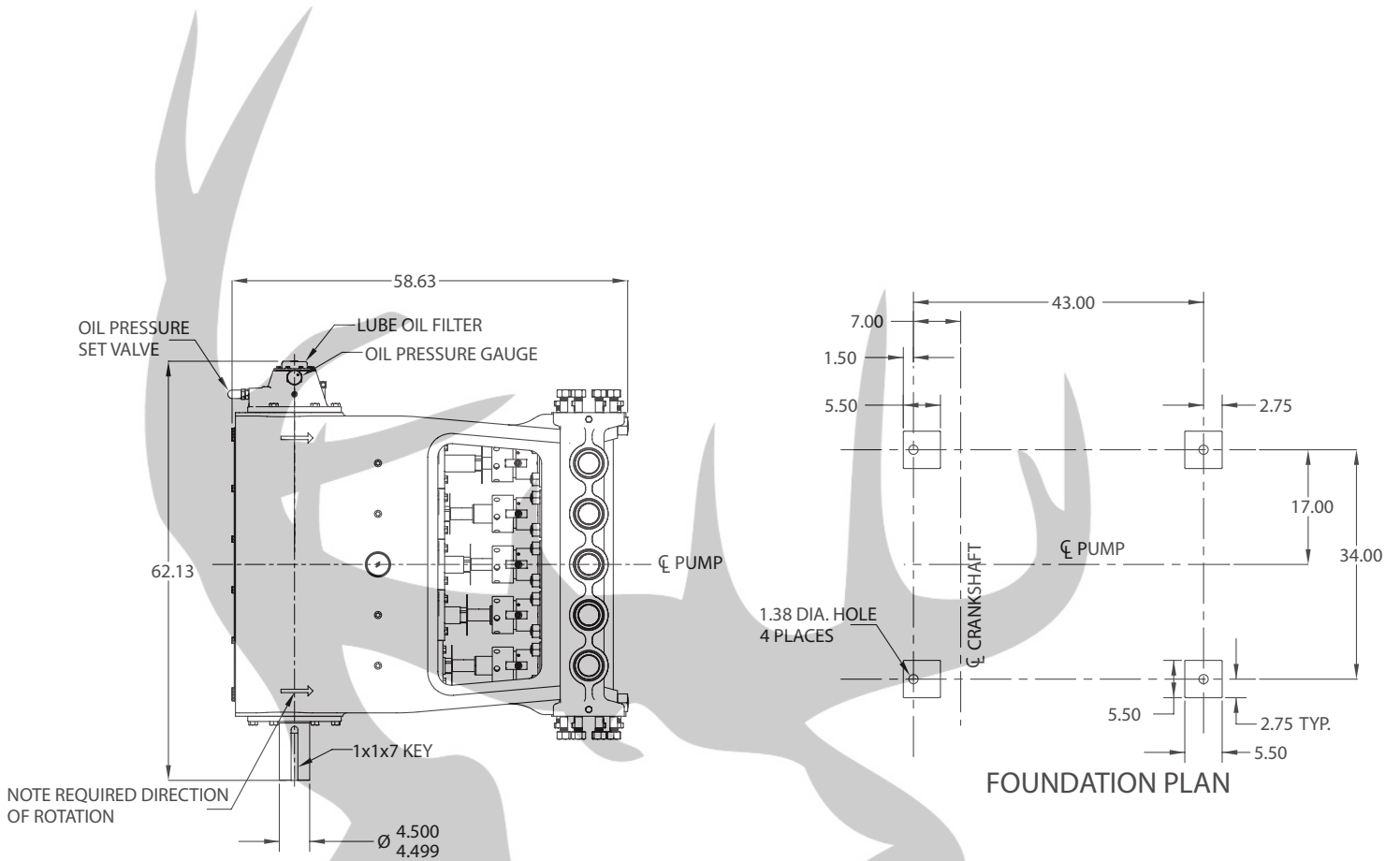
# MA-300L Quintuplex Pump



# BUCKHORN PUMPS, INC.

All drawings and specifications subject to change without notice.

# MA-300M Quintuplex Pump



BUCKHORN  
PUMPS, INC.

All drawings and specifications subject to change without notice.

---

# INSTALLATION, OPERATION, LUBRICATION, MAINTENANCE AND STORAGE INSTRUCTIONS

## **SAFETY**

---

Electrical power or engine must be shut off completely before attempting service on the pump or its drive. Air surrounding the unit to be free of toxic, flammable, or explosive gases.

Tools needed should be planned for in advance (see valve seat pulling instructions) and should be clean and of adequate size. A torque-wrench will be required to tighten connecting rod cap screws.

A properly sized and set relief valve installed in the pump discharge system (ahead of any block valves) is necessary to protect personnel and to avoid dangerous overpressure. The relief valve set pressure should be not more than 25% above the design operating pressure and should discharge to tank or to the atmosphere (toward the ground) and must not be directed back to the pump suction system.

**WARNING:** *Improper use of this equipment could result in loss of life.*

### **CALIFORNIA PROPOSITION 65 WARNING:**

**WARNING:** *This product and related accessories contain chemicals known to the State of California to cause cancer, birth defects or other reproductive harm.*

## **STORAGE**

---

Pumps are shipped dry from the factory. If a pump has been in storage in a humid environment for more than 6 months the crankcase cover should be removed and carefully examined for rust or water collected in the power end. Flush out any evidence of rust or damage that exists, using a light clean oil.

Pumps to be placed in extended storage should be cleaned, repaired as needed and completely filled to the top with clean oil to prevent rusting. Rotate pump monthly 4-1/2 revolutions. Plug all openings to prevent air entry and oil leakage.

Fluid ends must be completely drained of water and suction and discharge ports blanked off. Store pump in a clean, dry location.

## **PUMP LOCATION AND PIPING DESIGN**

---

Locate pump and driver in a clean, well-drained, ventilated and brightly illuminated area with adequate working spaces around the pump to provide ample access to fluid end, power end and associated drive elements.

Do not expect good maintenance to result if the pump is positioned on muddy terrain or in a dirty, cramped, dimly lighted area!

The supply tank(s) should be large to allow dissolved air and other gases to escape from the liquid and allow suspended solids to settle out before entering pump. A system employing dams and settling chambers is desirable.

Pumps are not designed to withstand piping weight, vibration and the effects of thermal piping expansion/contraction. Piping loads may be considerable and the weight of all valving, dampeners, filters and associated forces, moments and couples must be completely isolated. Use flexible hoses and rigid piping supports to isolate the pump and its driver from these effects.

## **SUCTION PIPING**

---

No part of the piping system deserves more careful planning than the suction piping system. Suction piping must be **SHORT, DIRECT and OVERSIZE**. Use one pipe size larger than the pump suction connection. For example, since the suction connection for the MA-300L pump is 8", use a 10" short, direct suction line from the tank to this pump. The shorter it is, the better! 1 to 3 feet per second suction velocity is acceptable.

Use no elbows, tees, or restricted port valves in this line. Do not install orifice plates or positive displacement type fluid meters in the suction line which act as flow restrictors. Avoid the use of suction filters, if possible. Consider filtering the liquid as it enters the supply tank rather than as it leaves it. The use of an eccentric reducer with the flat side up located at the pump suction connection is recommended. The suction line should slightly rise from tank to pump and loops in which air may collect must be avoided.

The absolute pressure in a suction line may be less than atmospheric pressure and air may be "sucked" into the line unless all flanges and connections are airtight and watertight. If you can see water leaking out of a suction line when the pump is still, that may mean air is being sucked in when the pump is running.

Suction piping should be buried beneath the frost line or insulated to avoid freezing in the winter. If the suction line has a block valve at the supply tank, a suitable relief valve is suggested to relieve the suction piping from any possible dangerous overpressure from the discharge piping system.

Suction piping is often large, heavy (especially when filled with liquid) and tends to vibrate. Proper solid supports are recommended. A suction hose located near the pump will isolate these effects, protecting the pump from the forces and moments that piping weight creates.

New suction piping systems should be flushed free of pipe scale, welding slag and dirt before starting the pump.

Hydrostatic testing to detect air leaks is advisable. Proper choice of suction hose construction is essential to avoid collapse of the hose liner.

Install a dry type compound gauge in the suction line near the pumps which should fluctuate evenly. If violently pulsating, this gauge indicates that the pump is not fully primed or that one or more valves are inoperative.

## **ACCELERATION HEAD**

A characteristic of all reciprocating pumps is the imperative need to consider the effects of acceleration head which is a **SYSTEM** related phenomenon. Acceleration head may be considered to be the loss of available hydraulic head (energy) in the piping system occurring because the demand by the pump cylinders for liquid is not smooth and even. Because the pump's demand for liquid is cyclical, the velocity of the liquid in the entire suction system is not truly constant but varies in response to the combined demand of the reciprocating plungers. Thus, liquid in the suction system is compelled to be accelerated and decelerated several times during each crankshaft revolution, depending on the number of plungers. Called "acceleration" head, this loss of available hydraulic head is proportional to:

- (a) The speed (RPM) of the crankshaft
- (b) The average liquid velocity in the piping
- (c) The length of the suction piping
- (d) The number of pumping chambers (triplex, etc.)
- (e) The compressibility of the liquid

Thus, for a given pump, acceleration head effects may be reduced by the use of the shortest possible suction line, sized to reduce liquid velocity to a very low speed. This is often more economical than the use of charge pumps or expensive suction stabilizers.

**NOTE:** Charge pumps should be sized to 150% of rated pump volume. Charge pumps need to be centrifugals, not a positive displacement pump.

A charging pump is usually not a good substitute for a short, direct, oversize suction line, nor is it a substitute for the computation of available **NPSH**, acceleration head, friction head, vapor pressure and submergence effects duly considered. Required **NPSHR** of Myers Aplex Series pumps depends on speed, choice of plunger size and valve spring type. Consult Myers Aplex Series Engineering for help with your particular application. A full discussion of suction system losses is given in the Standards of the Hydraulic Institute, 14th Edition.

A common design mistake is the connecting of two (or more) reciprocating pumps to a **COMMON** suction header. This is a profoundly complicated suction system, largely not amenable to mathematical analysis, and is frequently the cause of severe pump pounding, vibration and early

valve failures. Each pump should be fed by its own separate, individual piping system, free from the effects of other pump cyclical demands for liquid.

## **DISCHARGE PIPING**

A properly designed discharge piping system usually prevents the need of a pulsation dampener. The most common mistakes made in the design of the discharge piping system are:

1. Pumping directly into a tee or header. A "standing" wave (either audible or subaudible) then often occurs. If flow must enter a header, use a 45° branch lateral (or equivalent) to avoid a reflecting surface from which sound can reflect.
2. Pumping into short radius 90° elbows. Instead, use two 45° elbows spaced 10 or more pipe diameters apart.
3. Pumping into a right angle choke valve.
4. Pumping into too small piping line size. Piping should be sized to keep fluid velocity below 15 feet per second, max.
5. Pumping through an orifice plate, small venturi, or reduced port "regular opening" valve.
6. Pumping through a quick closing valve, which can cause hydraulic shock (water-hammer).

A good discharge piping system includes:

1. A properly sized, correctly set relief valve. Discharge from relief valve returned to tank (not to pump suction).
2. A full opening discharge gate or ball valve. Avoid restricting plug valves, globe valves and angle valves.
3. A pressure gauge with gage dampener or snubber. Consider a liquid filled gauge. (Scale range to be double the normal pump operating pressure.)

Locate the relief valve and pressure gauge ahead of any block valve and so that the pressure in the pump is always reflected at the relief valve. The relieving capacity of the relief valve must exceed the capacity of the pump to avoid excessive pressure while relieving. Use a full size relief line.

To minimize vibration (whether hydraulic or mechanical), discharge lines should be kept short, direct, well supported and solidly anchored. Avoid "dead" ends and abrupt direction changes.

## **BYPASS PIPING**

Some designers ignore this important aspect of proper design of pump piping systems.

A reciprocating pump, especially after maintenance of the valves or plungers, **STARTS WITH ONE OR MORE FLUID**



**CHAMBERS FULL OF AIR.** Pumps operating on propane, butane, or other volatile liquids **START WITH VAPOR IN THE FLUID CHAMBER(S).**

Positive displacement pumps do not automatically purge themselves of air and gas after shutdown. For example, a quintuplex plunger pump will, after servicing, expel the air in four of the five pump chambers. Thus, the pressure from four of the “active” cylinders will keep shut the discharge valve of the “inactive”, or “air bound,” cylinder. Then, the air or gas in this cylinder will be compressed and expanded by its reciprocating plunger and never leave the chamber. Similar effects occur in duplex and triplex pumps.

To overcome these difficulties, adequate provision for expelling the gas in the “air bound” cylinders must be present. Common practice is to totally relieve the pump of all discharge pressure during the start-up, after servicing.

Consider the operational advantage of a full-sized bypass line (return to tank) which substantially removes discharge pressure from all cylinders during the start. This requires a block valve on the discharge side and a full opening bypass valve on the other side.

For economy, the bypass (to tank) can be combined with the relief valve discharge line. This line must be full-sized, well supported, and sloped downward to avoid freezing in cold weather. (A frozen relief valve line provides NO protection to either the pump or operating personnel!)

The ability of a reciprocating pump to be “self-priming” depends on the ratio of the swept (displaced) volume in the cylinder to the unswept (clearance) volume at the end of the stroke. This depends on the design of the fluid end and on the plunger size selected.

Choice of the largest size plunger for a particular fluid end improves this compression ratio and so leads to “self priming”, or easy priming. Choice of the minimum size plunger sometimes leads to difficulties, especially with pumps that require frequent servicing, or which handle volatile liquids, or which contain substantial amounts of dissolved air or gas. An automatic bypass and purging system for these applications may be merited.

**LUBRICATION**

Myers Apex Series pumps use 62 quarts of S.A.E. 40 wt. nondetergent oil in the crankcase. This oil requires only a nonfoaming additive and should possess good water separation (antiemulsion) characteristics. Such oils are often labeled “industrial” or “turbine” quality lubricants. If these oils are not available, a good quality gear oil or EP oil may be substituted. See lubrication guidelines.

In temperate climates, oil viscosity selected should fall between 70 and 84 seconds Saybolt viscosimeter at 210° F. In arctic service, low pour point oils are needed.

After the first 500 hours of operation in a new pump, drain the oil. Refill with clean, fresh oil. Thereafter, change the oil every 1,500 hours or sooner if it becomes contaminated with water or dirt. Fill to the center of the sight gauge. Recheck after starting, adding oil to center of gauge while running.

**V-BELT DRIVE**

A properly designed, well-aligned V-belt will provide years of reliable, economical service if properly tensioned and kept dry, free of oil and ventilated.

Alignment is critical for long life. If the shaft axes are not truly parallel, or if the sheave grooves are not positioned in good alignment, some belts will carry most of the load, resulting in their disproportionate load share and may actually twist or turn over in the groove. Use a straight edge across the rim of the sheaves to detect and correct for misalignment.

After about one week of operation, new V-belts will have stretched somewhat. The motor must be moved on its slide base to re-establish proper belt tensioning.

Insufficient tension results in slippage, burning, squealing (especially during starting) and shortened belt life.

Overtightening imposes excessive loads on pump and motor bearings and can cause early shaft fatigue failure.

Use the following table in adjusting V-belt tension:

Belt Cross-Section	Tension at Mid-Span New Belts, lbs.	Used Belts, lbs.
“B”	5 – 6	3-1/4 – 5
“C”	9-3/4 – 13	6-1/2 – 9-3/4
“3V”	4 – 10	3 – 7-1/2
“5V”	17 – 30	13 – 23

Applying the above forces with a small spring scale, adjust motor position to provide the following deflection at mid-span:

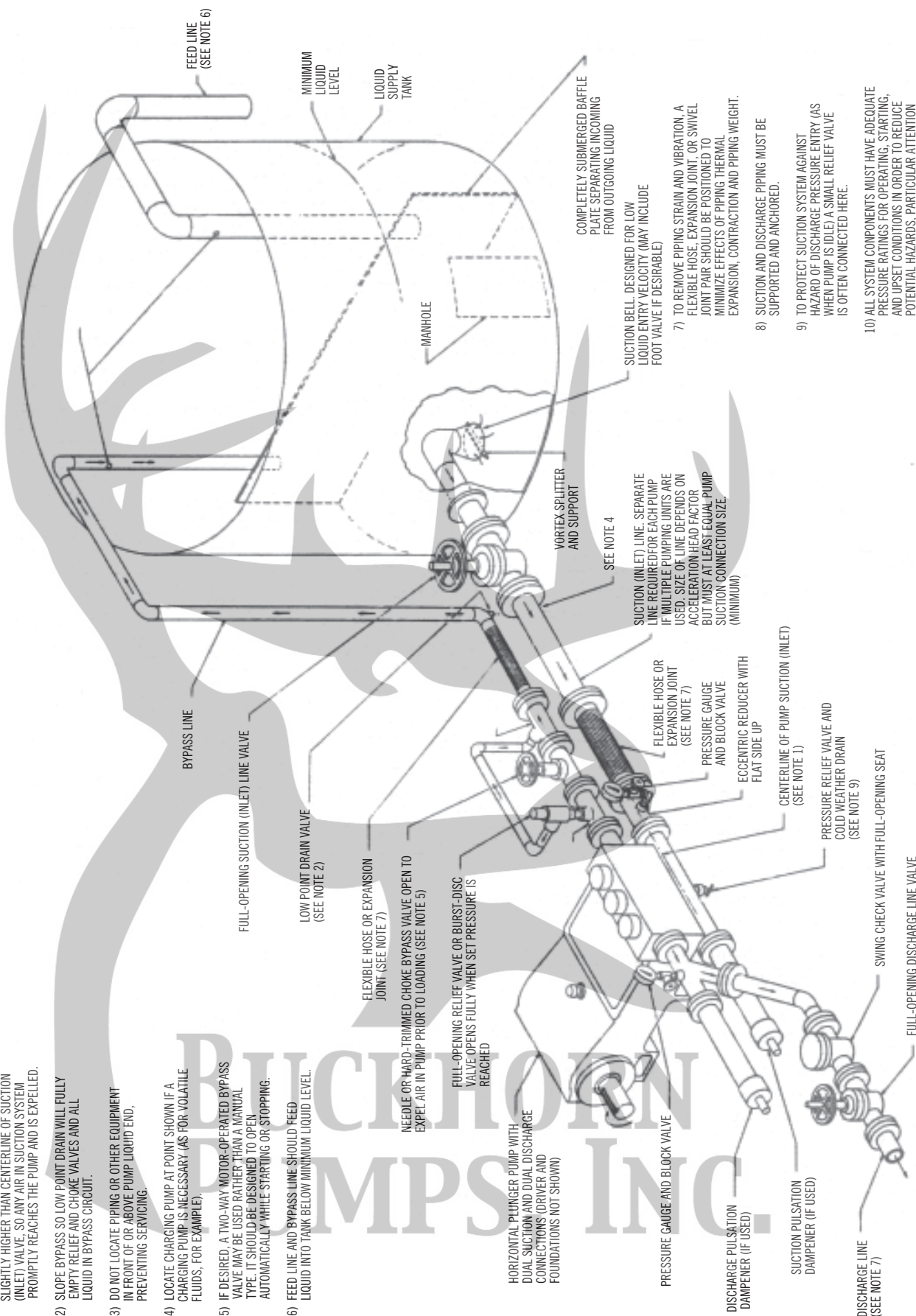
Approx. Center Distance (Span), inches	Deflection, inches
16	1/4
22	3/8
28	7/16
32	1/2
40	5/8
48	3/4
60	15/16

Belts must be matched in pitch length. If one or two belts are slack, when the others are correctly tensioned, investigate for possible reasons. Correct any misalignment or lack of matching so each belt will transmit its load share.

# SUGGESTED PIPING SYSTEM FOR PLUNGER PUMPS

**NOTES**

- 1) CENTERLINE OF PUMP SUCTION (INLET) TO BE SLIGHTLY HIGHER THAN CENTERLINE OF SUCTION (INLET) VALVE, SO ANY AIR IN SUCTION SYSTEM PROMPTLY REACHES THE PUMP AND IS EXPELLED.
- 2) SLOPE BYPASS SO LOW POINT DRAIN WILL FULLY EMPTY RELIEF AND CHOKO VALVES AND ALL LIQUID IN BYPASS CIRCUIT.
- 3) DO NOT LOCATE PIPING OR OTHER EQUIPMENT IN FRONT OF OR ABOVE PUMP LIQUID END, PREVENTING SERVICING.
- 4) LOCATE CHARGING PUMP AT POINT SHOWN IF A CHARGING PUMP IS NECESSARY (AS FOR VOLATILE FLUIDS, FOR EXAMPLE).
- 5) IF DESIRED, A TWO-WAY MOTOR-OPERATED BYPASS VALVE MAY BE USED RATHER THAN A MANUAL TYPE. IT SHOULD BE DESIGNED TO OPEN AUTOMATICALLY WHILE STARTING OR STOPPING.
- 6) FEED LINE AND BYPASS LINE SHOULD FEED LIQUID INTO TANK BELOW MINIMUM LIQUID LEVEL.



FEED LINE (SEE NOTE 6)

MINIMUM LIQUID LEVEL

LIQUID SUPPLY TANK

MANHOLE

COMPLETELY SUBMERGED Baffle PLATE SEPARATING INCOMING FROM OUTGOING LIQUID

SUCTION BELL, DESIGNED FOR LOW LIQUID ENTRY VELOCITY (MAY INCLUDE FOOT VALVE IF DESIRABLE)

7) TO REMOVE PIPING STRAIN AND VIBRATION, A FLEXIBLE HOSE, EXPANSION JOINT, OR SWIVEL JOINT PAIR SHOULD BE POSITIONED TO MINIMIZE EFFECTS OF PIPING THERMAL EXPANSION, CONTRACTION AND PIPING WEIGHT.

8) SUCTION AND DISCHARGE PIPING MUST BE SUPPORTED AND ANCHORED.

9) TO PROTECT SUCTION SYSTEM AGAINST HAZARD OF DISCHARGE PRESSURE ENTRY (AS WHEN PUMP IS IDLE) A SMALL RELIEF VALVE IS OFTEN CONNECTED HERE.

10) ALL SYSTEM COMPONENTS MUST HAVE ADEQUATE PRESSURE RATINGS FOR OPERATING, STARTING, AND UPSET CONDITIONS IN ORDER TO REDUCE POTENTIAL HAZARDS. PARTICULAR ATTENTION IS RECOMMENDED FOR THE SURGE CONDITION THAT WILL RESULT DOWNSTREAM OF THE RELIEF VALVE WHEN NORMAL DISCHARGE IS BLOCKED.

VORTEX SPLITTER AND SUPPORT

SEE NOTE 4

SUCTION (INLET) LINE - SEPARATE LINE REQUIRED FOR EACH PUMP IF MULTIPLE PUMPING UNITS ARE USED. SIZE OF LINE DEPENDS ON ACCELERATION HEAD FACTOR BUT MUST AT LEAST EQUAL PUMP SUCTION CONNECTION SIZE (MINIMUM)

FLEXIBLE HOSE OR EXPANSION JOINT (SEE NOTE 7)

PRESSURE GAUGE AND BLOCK VALVE

ECCENTRIC REDUCER WITH FLAT SIDE UP

CENTERLINE OF PUMP SUCTION (INLET) (SEE NOTE 1)

PRESSURE RELIEF VALVE AND COLD WEATHER DRAIN (SEE NOTE 9)

SWING CHECK VALVE WITH FULL-OPENING SEAT

FULL-OPENING DISCHARGE LINE VALVE

HORIZONTAL PLUNGER PUMP WITH DUAL SUCTION AND DUAL DISCHARGE CONNECTIONS (DRIVER AND FOUNDATIONS NOT SHOWN)

PRESSURE GAUGE AND BLOCK VALVE

DISCHARGE PULSATION DAMPENER (IF USED)

SUCTION PULSATION DAMPENER (IF USED)

DISCHARGE LINE (SEE NOTE 7)

FULL-OPENING RELIEF VALVE OR BURST-DISC VALVE OPENS FULLY WHEN SET PRESSURE IS REACHED

FLEXIBLE HOSE OR EXPANSION JOINT (SEE NOTE 7)

NEEDLE OR HARD-TRIMMED CHOKO BYPASS VALVE OPEN TO EXPEL AIR IN PUMP PRIOR TO LOADING (SEE NOTE 5)

LOW POINT DRAIN VALVE (SEE NOTE 2)

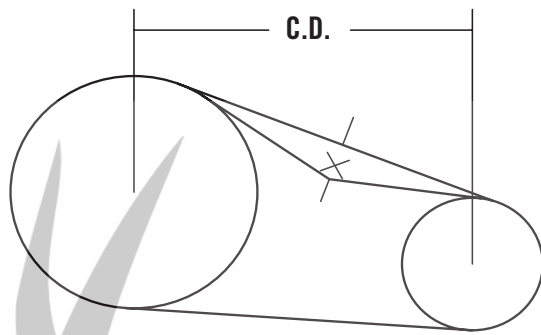
FULL-OPENING SUCTION (INLET) LINE VALVE

BYPASS LINE

DO NOT LOCATE PIPING OR OTHER EQUIPMENT IN FRONT OF OR ABOVE PUMP LIQUID END, PREVENTING SERVICING.

SLOPE BYPASS SO LOW POINT DRAIN WILL FULLY EMPTY RELIEF AND CHOKO VALVES AND ALL LIQUID IN BYPASS CIRCUIT.

CENTERLINE OF PUMP SUCTION (INLET) TO BE SLIGHTLY HIGHER THAN CENTERLINE OF SUCTION (INLET) VALVE, SO ANY AIR IN SUCTION SYSTEM PROMPTLY REACHES THE PUMP AND IS EXPELLED.



Sheaves must be balanced to prevent abnormal vibration. Balancing weights must **NOT** be removed. Type “QD” sheaves must be evenly tightened on their tapered hubs to avoid rim wobble and severe lateral vibration. V-belts that snap and jerk will produce abnormal vibration and loads on both pump and motor or engine.

Run the pump several minutes at full load with belt guard removed, observing for uneven motion on the belt slack side, especially.

When an old V-belt drive becomes unserviceable, replace **ALL** belts, not just the broken or cracked belts. Do not operate belts on sheaves having worn, rusted, greasy or broken grooves. Shut off power to driver before servicing drive or pump.

**WARNING:** Do not operate without appropriate guards in place.

### ***DIRECTION OF ROTATION***

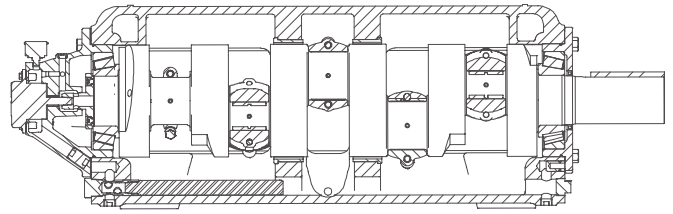
Before placing pump in operation, check that crankshaft rotation agrees with the arrows cast on top of the power frame by briefly jogging the electric motor. Crankshaft rotation must be clockwise as viewed from the right side of pump.

If pump is gear driven, remember that the pinion shaft turns opposite the crankshaft, if using a single-reduction geared drive or in the same direction as the crankshaft when using a planetary gear.

### ***AUTOMATIC (SAFETY) SHUTDOWNS***

Carefully check all electric shutdown devices present, such as crankcase oil level, discharge pressure, vibration, lubricator oil level, motor thermostat, etc.

## **CRANKSHAFT ASSEMBLY**



### ***GENERAL***

Myers Apex Series crankshaft suspension uses two single-row tapered bearings, which are shim adjusted to provide the correct running clearance.

Thorough cleaning of all components prior to assembly is essential.

Power frame, shaft, bearings and retainer **MUST** be scrupulously scrubbed with clean solvent (such as kerosene) before starting. Remove any oil, dirt, rust and foreign matter which might prevent the correct fit up.

Crankshaft journals are critical. Remove all burrs, rust spots, and nicks, paying special attention to the ground areas on which bearings and oil seals operate.

Connecting rods and crossheads must be previously installed into MA-300 pumps before the crankshaft assembly.

### ***TAPERED ROLLER BEARINGS***

Shaft and frame tolerances provide a tight (press) fit on the shaft and tap fit in the frame. The best way to install the cone assembly (consisting of the inner race, cage and rollers) on the shaft is to heat the cone assembly in an electric oven for 30 minutes at 300 to 400°F. No More! (**DO NOT** heat bearings with an acetylene torch. This ruins the bearings!) Using clean, insulated gloves, remove the hot cone assembly from the oven, promptly dropping it on to the shaft.

The cone assembly **MUST** contact the seat thrust face (not be cocked) and the large end of the rollers **MUST** be down. Do not hammer on the bearing. The soft steel cage is easily distorted, ruining its function as a roller separator and guide against skewing. If the cone does not contact its thrust face properly, it must be pressed into place using a specially machined sleeve (which does not touch the soft steel cage). A hydraulic press is recommended if this difficulty arises.

## CUP INSTALLATION

Tapered roller bearing cup (outer races) is a press-fit in the bearing carrier, using a hydraulic press. Cup must be pressed into a clean carrier until the race solidly abuts its shoulder (must not be cocked).

The tool or plate used for this must contact only the outer end face – not on the taper.

## INSTALLING CRANKSHAFT

### GENERAL

Stand the power frame casting on the floor or on a bench with the fluid end face down and crankshaft end up. Insert one bearing cup in the left frame cup bore and shoulder it against the bearing retainer with a rubber mallet. Pass the crankshaft through the right frame bore. Pass the crankshaft through the center bearings and against the installed cup until the bearing cone seats into the left bearing cup. Insert a second bearing cup over the right-hand crankshaft journal.

### SHIM ADJUSTMENT OF TAPERED ROLLER BEARINGS

To provide for crankshaft thermal expansion, sufficient shims (located beneath bearing retainer flange) must be installed to provide .005" to .015" lateral end play, when shaft is cold.

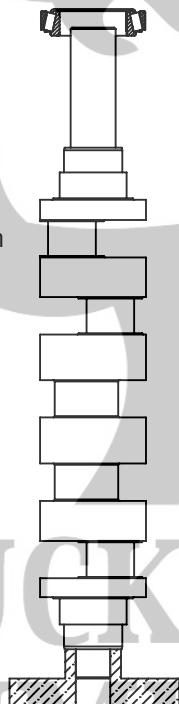
A feeler gauge and a 1" micrometer caliper are required. Install a trail shim set on one side of the pump. Tighten the flange bolts on this side only.

**CAUTION:** Lubricate the frame bores and the O-ring seals located in each carrier to prevent damage during entry. Oil the bearings.

Omitting the shim set on the opposite side, draw up the carrier, evenly tightening its cap screws. Rotate the crankshaft slowly by hand, seating all rollers into running position.

Measure the gap existing between the frame face and carrier flange. The correct thickness of the shim set to be installed on this side equals the measure gap plus about .010". (No preload)

After installing above shim set, a dial indicator may be used against the end of the shaft to confirm the shim selection. Bump the shaft in one direction and zero the dial indicator. Bump the shaft the opposite way. If



shimming is correct, the shaft will move laterally from .005" to .015".

About equal shim set (totals) are required under each carrier flange.

The recommended tightening torque for bearing retainer 3/4"-10UNC cap screws is 211 to 257 ft.lb.

### INSTALLATION OF CRANKSHAFT OIL SEAL

Insert oil seal over the end of crankshaft and position it into the oil seal bore in the power frame or bearing retainer. Using a rubber mallet, tap it into the bore until the face of the seal is flush with the power frame or bearing retainer.

### LUBE OIL PUMP ASSEMBLY

Lube oil pump and filter assemblies are employed in certain Myers Aplex Series pumps. This assembly is installed after the shaft and its tapered bearings have been correctly set. Providing filtered oil under pressure (35 to 75 psi) to all crosshead pin bushings and crankpin bearings, this special gear pump is driven by a bolted-on drive shaft. Driver is made with a female drive square which drives the male square end of the lube oil pump shaft.

The driver shaft is piloted by the main bearing inner race cone and is secured to the crankshaft by four socket head cap screws. Stake their heads using a center punch to upset the adjoining metal.

The lube oil pump (Tuthill) is a gear type pump possessing a self-reversing sector which automatically switches suction and discharge connections in the event (not recommended) that the pump is caused to rotate opposite the correct direction. The lube oil pump is readily removed for inspection, repair, or replacement without disturbing any other pump component.

The lube oil pump shaft is journaled in a bronze bushing fitted into the bearing carrier. If this bushing becomes worn (check for contaminated crankcase oil), it must be promptly replaced. A worn bronze bushing will cause this pump to frequently lose its prime, and also may cause excessive wear in the pump rotor teeth.

### DISASSEMBLY

After removing the connecting rod cap and cap bolts (note identifying marks on each cap so each may be later correctly reassembled onto its own rod), remove a bearing carrier from the frame. Two jack out tapped holes are provided in the flange of the carrier for this purpose. Support the shaft during removal to avoid damage.

The crankshaft may now be extracted, once all connecting rods are moved clear. Examine the crankpin surfaces for wear or corrosive pitting. The correct diameters of these journals are:

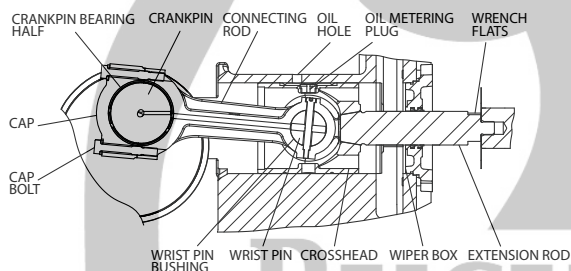
Crankpin Diameter.....4.5000/4.4990"

If worn more than .010" undersize, crankshaft should be replaced, or an attempt to salvage it may be made at a shop well equipped to grind the crankpins which must be fully round, chrome-plated, and finish ground to the above sizes. (Myers Apex Series does not perform this function.)

Crankshaft tapered roller bearings should be carefully examined for pitting, scoring or corrosion, and replaced as required. The cone and roller assembly is most easily removed by first cutting away the cage using an acetylene cutting torch. Then heat the cone (inner race) with the shaft held vertically so cone will drop off due to its own weight. Avoid excessive heat on the crankshaft which tends to distort its geometry.

Cups (outer races) of tapered roller bearings may be extracted from bearing carrier using a conventional bearing puller tool of the automotive type (widely available). Do not attempt to use heat on a bearing carrier as this will result in severe distortion (out-of-round). Replace the bearing carrier if broken or out-of-round.

## CONNECTING ROD, CROSSHEAD, EXTENSION ROD, CROSSHEAD PIN and WIPER BOX ASSEMBLY and DISASSEMBLY:



## GENERAL

Myers Apex Series connecting rod assemblies employ precision automotive type steel backed, babbitt-lined crankpin bearing halves which require no shims for clearance adjustment. This pump employs full circle (piston type) crossheads, and hardened stainless steel extension rods, which are field replaceable.

Extension rods are provided with a wrenching flats to permit tightening of the tapered thread into the crosshead, establishing accurate alignment while affording easy field installation.

Before beginning the assembly all parts must be scrupulously cleaned, removing all oil, dirt, rust, and foreign matter which prevent proper fitting, or which might tend to score the rubbing surfaces. Clean and examine the power frame bores for scoring and abnormal wear, especially wear of the lower crosshead guide way. Hone smooth, if rough.

Measure the bores of the frame using inside micrometers to determine abnormal frame wear if any.

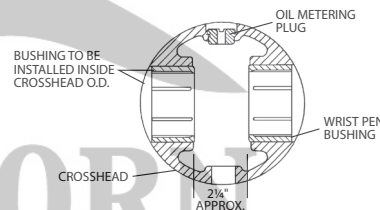
New Crosshead O.D.	New Frame Bores
6.740/6.737"	6.749/6.752"

Frame bores which have become worn more than .015" must be sleeved with a cast iron liner to re-establish correct geometry and alignment. Contact Myers Apex Series concerning the repair of badly worn frame bores.

Smooth any rough corners and edges on the crosshead skirts, using fine emery cloth. Examine and clean the female tapered threads and wrist pin holes.

## INSTALLING WRIST PIN BUSHINGS

The wrist pin bushing is precision machined bearing bronze which is press fitted into the crosshead.



Bushing O.D.	Crosshead bore
3.2525/3.2515"	3.250/3.251"

\*MA-300 requires two (2) bushings per crosshead.

BUCKHORN  
PUMPS, INC.

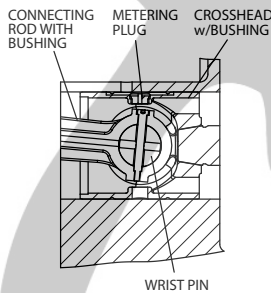
After applying oil to the bushing O.D., use a hydraulic press to force home. Repeat this procedure for the second bushing. When a bronze bushing is pressed into place, the I.D. (bore) of the bushing is reduced somewhat, owing to the extent of press fit. Therefore, a clean, new wrist pin should be inserted into the bushing bore to establish that running clearance has been obtained. The running clearance between the wrist pin and installed bushing is:

New pin O.D.	Installed bushing bore	Oil Clearance
2.6875/2.6860"	2.6895/2.6905"	.0020/.0045"

Replacement bushings are furnished prebored by Myers Apex Series which usually eliminates the need to ream the installed bushing bore. However, due to slight variations in finishes and tolerances it sometimes happens that more than predicted contraction of the I.D. occurs. This occurrence results in a slight interference which may be eliminated by lightly honing the bore of the bronze. (NOT by reducing the pin size!) An automotive engine repair shop usually is equipped with power honing machines capable of smoothly finishing the bushing bore. Bore of bushing must be round and free of taper.

### BOLTING THE WRIST PIN

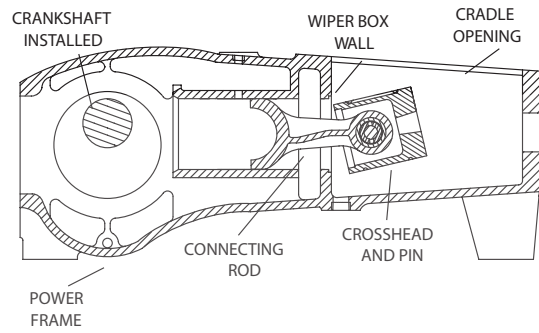
After pressing in the two bronze bushings, the wrist pin must be bolted to the connecting rod. Place the connecting rod inside the crosshead and slide the wrist pin through the crosshead and connecting rod.



The hole in the wrist pin should line up with the hole in the connecting rod. Install the shoulder bolt through the wrist pin and thread into connecting rod. Torque to 25 ft.lb.

### ORDER OF ASSEMBLY

The connecting rod/crosshead assembly is installed **AFTER** the assembly of the crankshaft. In these modes, the rod and crosshead will pass through the wiper box wall bore. With the frame in the horizontal position, load the rods through the cradle.

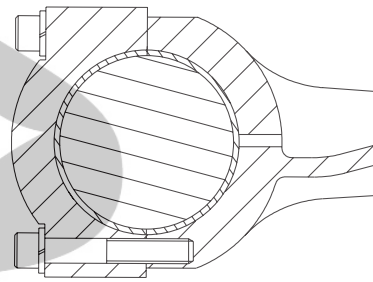


New crankpin O.D. .... 4.500/4.499"

New connecting rod bore ..... 4.851/4.853"

Crankpins that are worn out-of-round, tapered, or badly scored should either be discarded or perhaps salvaged by grinding undersize, hard chrome-plated, and finish ground to above diameter. (Myers Apex Series does not offer this service.)

Connecting rod/cap bore must be perfectly round and within above sizes and free of taper. Discard, if elliptical or tapered as the result of abnormal heating. Each cap and rod is match-marked for correct identification. Take care that each cap is reinstalled properly with its companion rod. Bearing halves are identical and are prevented from rotating by tongues which fit into slots in the cap.



Check that all oil holes are clean and fully open. GRIT is the greatest enemy of bearings, however precisely manufactured. Hence, all surfaces must be perfectly clean and lightly oiled prior to assembly. Remove any burrs or sharp corners which prevent the perfect fitting of these precision bearings. Using a torque wrench, tighten cap bolts as follows:

Thread Size	Tightening Torque
5/8"-18UNF	125-135 ft. lb.

Specified torque, applied to clean, well-oiled threads and bearing faces, will create tensile stresses in the cap bolts from 90,000 to 110,000 psi, approx. and will provide correct initial tension. Myers Apex Series pumps use high strength cap bolts suitable for these initial loadings, maintained by using safety wire to maintain the required tightness.

After all rods and caps are secured, slowly turn the crankshaft to be sure no bearing is in a bind.

Using a flashlight, examine the location of each connecting rod (eye end) within its crosshead. Rods must not touch any crosshead boss or skirt.

## WIPER BOX ASSEMBLY

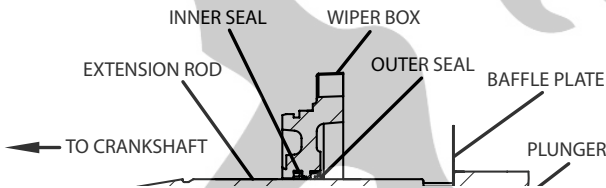
### GENERAL

Extension rod wiper boxes (sometimes referred to as the diaphragm stuffing box, or stripper housing assembly) serve two important functions: retention of crankcase oil in the power end and exclusion of dirt and water.

Myers Apex Series has developed a unique sealing set which operates on a hardened and ground stainless steel extension rod (often called "pony" rod), and a metal baffle disc affording protection against leaking plunger packing. The seals require no adjustment, only correct and careful assembly.

### DOUBLE-LIPPED WIPER SEAL

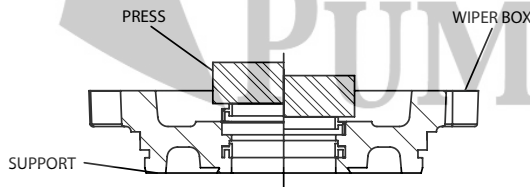
This seal keeps oil from leaking out of the power frame. Developed by the Parker Seal Group, this double-lipped wiper provides an additional beveled sealing lip, yielding excellent film-breaking and the driest rod sealing available.



The double-lipped wiper seal is inserted into its counter bore with its lips directed *toward* the oil in the crankcase. (Will **NOT** work if installed backward!)

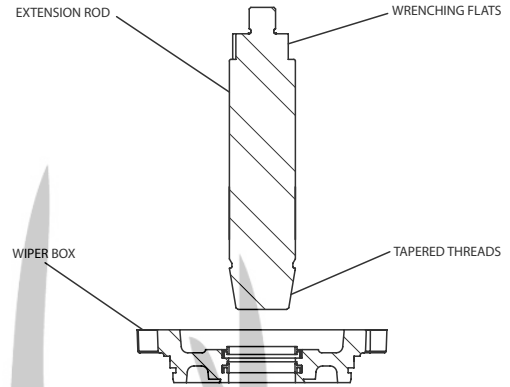
### DOUBLE-LIP CANNED WIPER

The double-lip canned wiper oil seal is to keep contamination out of the power frame. This seals press fit installation prevents O.D. contamination while the additional seal lip works in conjunction with Parker rod seals to provide sealing for leakage. An aggressive wiping lip, facing the element, ensures contaminant exclusion along the rod.



## INSERTING THE EXTENSION ROD

Insert the extension rod through the wiper seals with the tapered thread and entering **FIRST**. Care should be used in moving the extension rod through the seals with wrenching flats entering first. **Do not force!** The sharp corners on the wrenching flats may damage the seal lips! (Resulting in oil leakage.)



With extension rod inserted through the wiper box seal, thread the tapered threads (must be clean!) into the tapered crosshead female threads. Firmly tighten, apply torque to the wrenching flats only. Never damage the extension rod ground surface!

Then fasten the wiper box to the power frame by tightening the cap screws. Oil leakage between frame face and wiper box is prevented by use of a gasket beneath the box flange.

# STUFFING BOX, PACKING AND PLUNGER ASSEMBLIES

## GENERAL

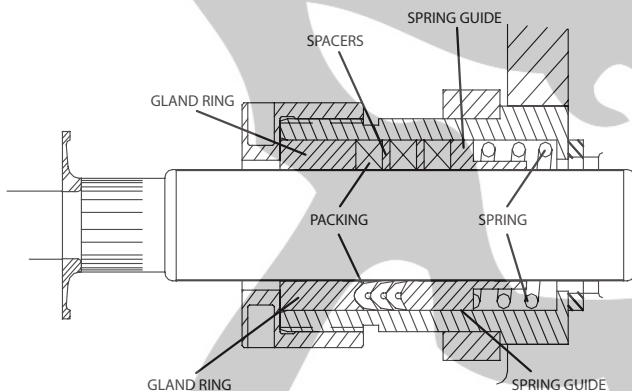
Myers Apex Series pumps all feature field removable and replaceable stuffing boxes with plungers separable from the extension rods.

If desired, the boxes, plungers, and packing units may be installed (or removed) as a unit assembly, permitting service outside the pump. All boxes are retained by four (4) studs and nuts, and are centered in the frame bore, ensuring correct alignment.

The plungers may also be removed separately (without box removal) to facilitate repacking. With this option, the necessary space required to remove plunger, it is first necessary to remove the extension rod.

## SPRING LOADED PACKING

### Compression Packing



### Chevron Packing

Note that the gland is screwed tightly onto the box and contacts its face. The spring is providing all of the initial compression and adjustment. No adjustment is provided by the gland.

Since the force exerted by the spring is contingent on the space provided for it, the correct lengths of all rings is essential for good tensioning.

### Spring:

A stiff Inconel® spring, which closely fits the bore of the stuffing box, is used in this assembly. This spring is compressed in a vise to the operating length required plus 0.25" and tied with waxed nylon spot tie cord. The cord is looped over the ends of the spring through the coils and tied to maintain the length mentioned above. Each

spring is assembled into the stuffing box. Note that the spring does not contact the plunger.

### Spring-Guide Ring:

Plungers are heavy and the importance of a well-fitted guide ring which carries this weight is often overlooked. Discard any guide ring that becomes worn or scored, as it will then not serve its purpose. It should fit snugly in the box. Apply oil generously to this ring.

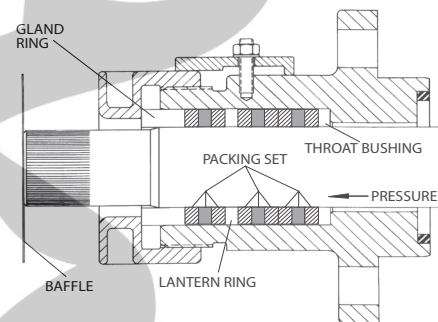
### Spring Loaded Packing:

Three (3) rings of chevron or compression packing are installed next. For compression packing, install them with the skive intersections 180° apart to discourage leaking.

### Gland Ring:

This ring also fits the plunger and helps support the plunger weight. Discard it if bore is worn, rough or out-of-round. Lightly oil the ring before insertion. The gland ring fits all packing.

## J-STYLE STUFFING BOX and PLUNGER ASSEMBLY (STYLES 838 & 858)



The above depicts Style 838 and 858 packing correctly installed with all packing lips facing *toward* the fluid pressure. Note that two (2) units of Style 838 and 858 packing are positioned ahead of the lantern ring, and one (1) unit is positioned behind it. Thus lubricant entering the lantern ring is forced *toward* the pressure.

### Throat Bushing:

Plungers are heavy and the importance of a well fitted throat bushing which carries this weight is often overlooked. Discard any throat bushing that becomes worn or scored, as it will not then serve its purpose. It should fit snugly in the bottom of the box. Apply oil generously to this ring.

### Style 838 and 858 Packing:

Developed by Utex Industries, Inc. Style 838 and 858 packing is a NON-adjustable type packing which depends solely on hydraulic pressure to energize the sealing lips. (Gland-tightening forces do NOT energize the lips.) Tightening and hydraulic end thrust loads are transmitted entirely through the center support portions of each ring.

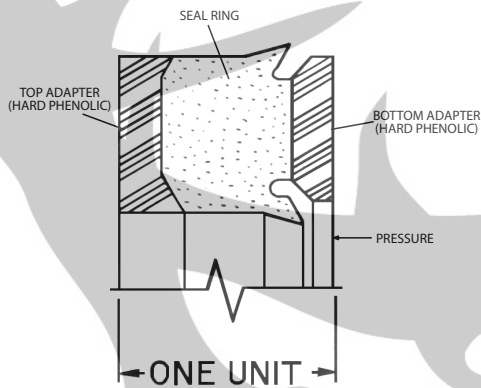


The flattened portions of the rings are large enough to withstand overtightening. Do NOT attempt to adjust this type packing. It should be kept thoroughly tightened at all times.

Running it loose will NOT usually cause it to drip at all. But it can ruin the box in time.

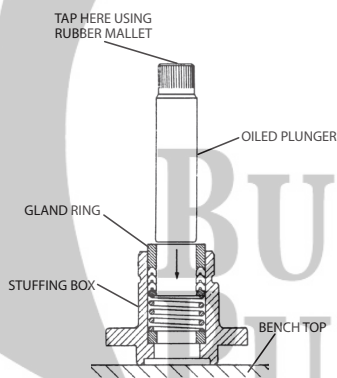
Lightly oil each ring and the box bore and then lightly tap in each ring separately with the rings facing correctly. This is most easily done before installing the plunger.

Lantern rings are provided with O.D. and I.D. reliefs and two (or more) oil holes to allow lubricant to reach the plunger. After the last unit of Style 838 and 858 packing is in place, generously oil the lips of all seal rings to ease plunger entry.



## INSERTING THE PLUNGER

Apply oil liberally to plunger O.D. and lightly tap it through the packing. When introducing the plunger through the MA-300 stuffing boxes, also apply oil liberally to the O.D. of each integral extension rod to allow easy passage through the wiper box seals.



A soft rubber mallet is recommended to avoid any damage to the plunger face or its threads. Remember: The fragile nature of packing rings and plunger surfaces deserves your respect and avoidance of careless damage to these key elements!

## INSTALLING THE GLAND

Considerable downward pressure on the gland is required to compress the spring and to move the packing into location, and to start the threads of the box.

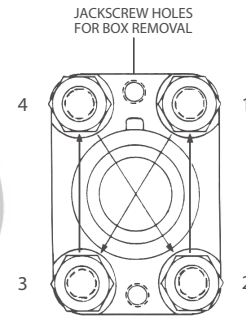
Once the gland threads are started, screw it down completely until it makes up tightly against the face of the box for spring loaded packing. For J-Style or gland adjusted packing, tighten the gland until it is seated firmly against the packing.

## INSTALLING THE STUFFING BOX

Myers Apex Series stuffing boxes derive their alignment from the bores of the power frame and the faces of the fluid end, so these surfaces **MUST** be cleaned of rust, scale and dirt before assembly is begun. Wash all contacting surfaces with clean solvent and dry with a **CLEAN** shop towel.

A nitrile rubber seal is used to seal between the face of the fluid end (must be flat, clean and smooth) and the face of the box. Replace if damaged.

All stuffing boxes are retained by four large studs and nuts which extend through the power end, serving to clamp the box and the power frame tightly against the fluid end face. These four stud nuts must be **EVENLY** tightened.



Using a socket, socket extension, and torque wrench, tighten clean, well-oiled threads and nut faces.

Stud Threads	Tightening Torque
1-1/4"-8UN	725-775 ft.lb.

## CONNECTING THE PLUNGER

Install the metal baffle plate on the extension rod, roll the pump slowly until the extension rod male threads just touch the mating plunger female threads.

Applying a pipe wrench to plunger knurled area, thoroughly tighten the connection. Do **NOT** use a "cheater" when connecting plunger to extension rod. (Serves no useful purpose, and may damage the connection!)

## PACKING

Packing life for aramid fiber packing may be improved in some applications by regular, systematic lubrication. An optional force feed lubricator assembly is often recommended especially for pumps on continuous duty. This provides regular, controlled supply of lubricant lowering friction and heat.

Additionally, the regular application of the correct lubricant aids dissolving of salt and gyp tending to build up on the plungers in produced water applications. For this service, Rock Drill Lubricant is a popular and effective packing lubricant.

Plungers in CO<sub>2</sub>, ethane, or other very cold liquid services may use brake fluid. This fluid does not congeal into a solid that cannot enter the packing. Consider the use of an air-sealed cradle into which dry (instrument) air may be directed, excluding the moisture, which causes plunger icing especially in very humid conditions.

Packing lubricant for pumps on light hydrocarbons, hot water, lean oil, naphtha, or gasoline often requires experimentation.

A good start is to use steam cylinder oil. Castor oil is sometimes successful as a packing lubrication for liquid propane and butane services, at ambient temperature.

In pumps placed in arctic service, a special low pour point oil is indicated.

Packing lubrication is not permitted on some services, such as an amine, food stuffs, etc., and other packing styles and materials may be required.

## PLUNGERS

Myers Apex Series offers its own unique product: the Myers Apex Series Rokide® plunger. This premier quality plunger consists of a chromium oxide deposition on a solid stainless steel body.

Ordinary handling will not damage this fine product. Avoid striking the coated surface (black) during installation. Apply light forces only on the ends of the plunger. Do not hammer or pry.

All threads on Myers Apex Series plungers must be **CLEANED** and oiled before assembly. Stainless steel (although very corrosion resistant) has a tendency to gall and seize. To avoid this, an anti-seizing lubricant is well worth its use. Apply oil to the threads and the rubbing surface.

Myers Apex Series can supply solid ceramic plungers on order. This plunger is very fragile, vulnerable to thermal and mechanical shock, and must be handled with the greatest care. Use only a rubber mallet to

insert it into the packing. Other plunger types are available upon request.

## DISC VALVE SYSTEMS AND ABRASION RESISTANT

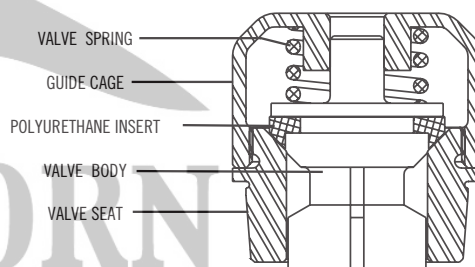
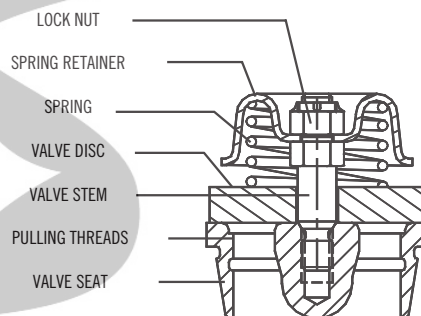
### GENERAL

Myers Apex Series has developed a unique setting/puller system permitting quick, easy and safe methods of installing and removing tapered seat valves.

The system allows servicing without distortion of the seat, with minimum effort and **NO** damage to fluid end tapers or seat.

Tapered seats notoriously drive solidly down into mating deck tapers, so firmly that extraction heretofore has always posed severe problems. Old style valves may be pulled only with the greatest effort, using "J" puller heads (prone to failure), CO<sub>2</sub> – dry ice, and other improvisations.

### DISC VALVE and ABRASION RESISTANT VALVE CONSTRUCTION



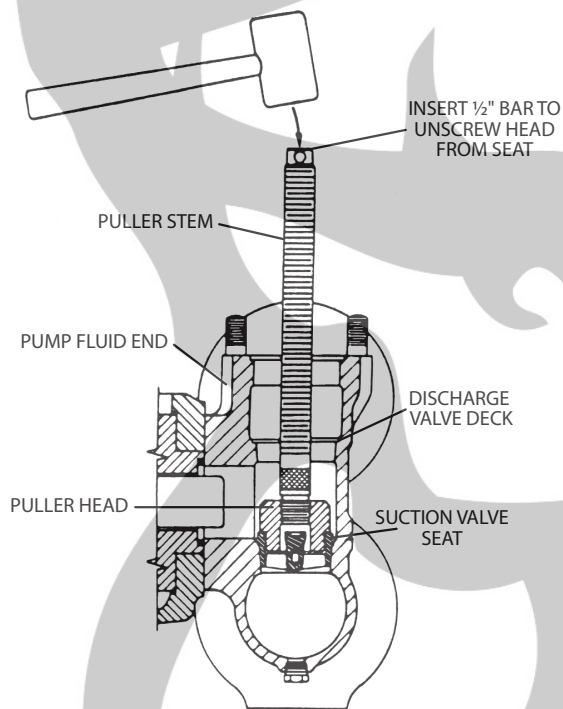
The Myers Apex Series valve is a precision made subassembly using threads cut into the rim of seat for use with Myers Apex Series setting/pulling tool. These threads **DO NOT** deteriorate as proved by field experience. By locating these on the rim, setting/pulling forces are now applied only to the rim of the seat, never to the webs (or "spokes"), or to the center section. Distortion of the seat is eliminated.

Access to these seat threads is provided by the removal of the valve cage on abrasion resistant valves or the spring retainer on disc valves, which is screwed onto the seat. An anti-seizing lubricant applied to all threads is good insurance against future difficulty.

## SETTING THE VALVE SEAT

Effective pressure-sealing between tapered (male) seat and tapered (female) fluid end deck is possible **ONLY** if the tapers are absolutely clean and dry just prior to installation. Thoroughly clean surfaces using a clean solvent. Dry with a **CLEAN** shop towel.

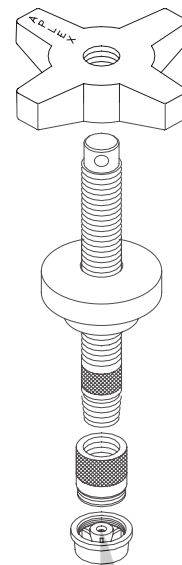
Examine the cleaned fluid end deck tapers, using a flashlight, and remove all deposits of gyp, salt, or other encrustation. Lightly rub with emery cloth any minor imperfections found in the deck taper.



The puller stem and puller head are provided with tapered (locking) threads. Screw them together using two pipe wrenches applied to the knurled areas provided. Then screw the valve seat onto the puller head by hand until it shoulders against the puller shoulder. Do not tighten.

Lower the seat and puller assembly into the fluid end, squarely setting the seat into the deck. Then pound the top of the stem with a 6 pound hammer.

Unscrew the head and stem from the seat using a 1/2" bar (or screwdriver) into the hole provided at the top end of the stem.



## INSTALLING ABRASION RESISTANT VALVES

Install nitrile O-ring over the threaded section of the seat and position it at the bottom of the threads. Install the polyurethane insert into the valve and position it into the groove. Position the valve into the hole in the center of the installed seat. Install the valve spring. Apply anti-seizing lubricant to the threads of the valve cage and screw the cage on to the threaded valve seat with cage setting tool.

## INSTALLING DISC, SPRING, DISC VALVES AND STEM:

Myers Apex Series offers discs of Delrin® acetal resin, of 17-4PH S.S. hardened and ground, and of titanium alloy. Position the disc and InconeI® spring on the seat, aligning the hole in the disc with the stem threads in the seat center.

The stem, spring retainer and locknut are shipped from Myers Apex Series already assembled and tightened with a torque wrench with Loc-Tite® sealant added to the top stem threads only.

5/8" -11UNC @ 125-135 ft. lb.	1/2" -13UNC @ 65-75 ft. lb.
MA-300L	MA-300M

Use an anti-seizing lubricant in these threads. This is very necessary when seats and stems of Type 316 stainless steel are selected (optional) to prevent galling. CLEANLINESS of threads and other contacting surfaces is of paramount importance in the assembly of all valve elements.

---

## **VALVE SPRING OPTIONS**

---

All Myers Aplex Series valve springs are made of Inconel® material, precisely designed and fabricated. Unless otherwise specified, the standard spring is furnished. It provides excellent results in the great majority of applications.

Pumps employed in marginally available NPSH conditions may require a softer spring, to reduce the required NPSH. For these special conditions, Myers Aplex Series can supply light valve springs which exert lower pressure on the valve disc. The use of light valve springs may be limited by the choice of plunger size and/or limited by the chosen speed of the pump. Light valve springs may be impractical for pump models fitted with their maximum plunger size, or which operate near top speed rating as disc bouncing and erratic seating may occur.

## **VALVE DISC OPTIONS**

---

Myers Aplex Series acetal resin discs made of DuPont Delrin® are machined flat and smooth to produce perfect sealing on the lapped-flat face of the seat. Used successfully in thousands of applications, these discs are light, slightly flexible under load, and seal well, even at high pump speeds, providing smooth pump action.

Acetal resins are very resistant to most corrodents but are not usually suitable in fluid temperatures above 120°F; nor do they afford long life at extreme pressures. Pressure limitations depend on valve size. But continuous valve operation at pressures above 2,500 psi usually indicate the need of metal valve discs.

For higher temperatures or pressures, Myers Aplex Series offers lapped flat, hardened Type 17-4PH stainless discs, or titanium alloy discs. These metal discs are less tolerant of any fine grit in the liquid and are noisier than the acetal resin disc.

## **PULLING THE VALVE SEAT**

---

First drain the fluid end entirely. For abrasion resistant valves, use the cage wrench to unscrew the cage from the seat. For disc valves unscrew the stem from the seat. Remove the cage, spring and valve from the fluid end. Attach the Myers Aplex Series puller head to the puller stem and tighten their tapered threads with a pipe wrench applied to the knurled areas of the puller stem and head. Lower the stem and head into the fluid end and engage the threads of the head onto the seat threads.

Using a 1/2" bar (or screwdriver) rotate the head clockwise, threading it fully onto the seat. But do NOT tighten. Slide the bridge over the stem. Clean and oil the stem threads. Oil the face of the wing nut. Thread wing nut down onto the stem, seating it on the bridge top firmly. Extract the seat from the pump by striking the wing nut with a heavy hammer. A hydraulic ram may also be used. Stand clear of the pump when applying heavy tonnage, as the entire assembly will jump violently upward when the pulling energy is suddenly released!

The Myers Aplex Series puller/setting tool and gauge tool are custom designed and built for each specific Myers Aplex Series pump model. The same puller head is used on both suction and discharge seats. The bridge is made to fit each model and its proper use will not damage the valve cover gasket machined counterbore on the top of the fluid end.

## **SALVAGE OF WORN SEATS**

---

Rough valve seat faces may often be renewed by lapping or grinding, if not deeply fluid-cut.

Perfect flatness is required. A surface grind, followed by lapping on a lapping plate provides excellent smoothness and the flatness needed for good sealing and smooth running. Metal valve discs may sometimes be salvaged by grinding or lapping, if not deeply cut or cracked.

Delrin® discs are relatively inexpensive and salvage is seldom worthwhile. Replace the stem, if severely worn. Inconel® valve springs rarely require replacement.

## **OTHER PUMP BRANDS**

---

Myers Aplex Series Industries can provide its unique (patented) valve to fit nearly all brands and models of multiplex pumps. An Myers Aplex Series seat setting/puller tool is available, too!

## TROUBLE LOCATION AND REMEDY

Trouble	Possible Cause	Remedy
Pump fails to deliver required capacity.	Speed incorrect. Belts slipping.	Change drive ratio or tighten belts (if loose). Correct motor speed.
	Air leaking into pump.	Seal with compounds.
	Liquid cylinder valves, seats or plungers worn.	Reface or lap valves and seats; replace packing or plungers.
	Insufficient NPSHA.	Increase suction pressure.
	Pump not filling.	Prime pump.
	Makeup in suction tank less than displacement of pump.	Increase makeup flow. Reduce pump speed.
	Vortex in supply tank.	Increased liquid level in supply tank. Install vortex breaker.
	One or more cylinders not pumping.	Prime all cylinders. Allow pump to operate at low pressure through bypass valve to eliminate vapor.
	Suction lift too great.	Decrease lift. Raise tank level.
	Broken valve springs.	Replace.
	Stuck foot valve.	Clean.
	Pump valve stuck open.	Remove debris beneath valve.
	Clogged suction strainer.	Clean or remove.
	Relief, bypass, pressure valves leaking.	Repair.
Suction and/or discharge piping vibrates or pounds.	Piping too small and/or too long.	Increase size and decrease length. Use booster pump. Use suction and/or discharge pulsation dampeners.
	Worn valves or seats.	Replace or reface.
	Piping inadequately supported.	Improve support at proper locations.
Pump vibrates or pounds.	Gas in liquid.	Submerge return, supply or makeup lines in suction supply tank.  If operating under a suction lift, check joints for air leaks.
	Pump valve stuck open.	Remove debris beneath valve.
	Pump not filling.	Increase suction pressure.
	One or more cylinders not pumping.	Prime all cylinders. Allow pump to operate a low pressure through bypass valve to eliminate vapor.
	Excessive pump speed.	Reduce. Check drive ratio.
	Worn valves or seats.	Replace or reface.
	Broken valve spring.	Replace.
	Loose plunger.	Tighten.
	Loose or worn bearings.	Adjust or replace.
	Worn crossheads or guides.	Replace.
	Loose crosshead pin. Loose connecting rod cap bolts.	Adjust or replace.
	Pump running backward.	Correct rotation.

## TROUBLE LOCATION AND REMEDY

Trouble	Possible Cause	Remedy
Pump vibrates or pounds.	Water in power end, crankcase.	Drain. Refill with clean oil.
	Worn or noisy gear.	Replace.
Consistent knock.	Water in power end, crankcase.	Drain. Refill with clean oil.
	Worn or noisy gear.	Replace.
	Worn or loose main bearing, crank pin bearing, wrist pin bushing, plunger, valve seat, low oil level.	Adjust or replace. Add oil to proper level.
	<b>NOTE:</b> High speed power pumps are not quiet. Checking is necessary only when the sound is erratic.	
Packing failure (excessive).	Improper installation.	Install per instructions.
	Improper or inadequate lubrication.	Lubricate per instructions.
	Improper packing selection.	Change to correct packing.
	Scored plungers.	Replace.
	Worn or oversized stuffing box bushings.	Repair or replace. Check bore and outside diameter of bushings frequently. (Many times plungers are replaced and bushings ignored.)
	Plunger misalignment.	Realign. Plungers must operate concentrically in stuffing box.
Wear of liquid end parts.	Abrasive or corrosive action of liquid.	Check valves and seats frequently at start-up to determine schedule for replacing, etc. Eliminate sand, abrasive, air entering pump.
	Incorrect material.	Install correct materials.
Liquid end cylinder failure.	Air entering suction system.	Eliminate air. <b>NOTE:</b> Pitting often leads to hairline cracks which ends in cylinder failure.
Wear of power end parts (excessive).	Poor lubrication.	Replace oil as recommended in instructions. Keep oil clean and at correct temperature. Be sure oil is reaching all bearings.
	Overloading.	Modify pump or system to eliminate overload.
	Liquid in power end.	Drain power end. Eliminate cause or source of liquid entering power end. Relubricate.

BUCKHORN  
PUMPS, INC.

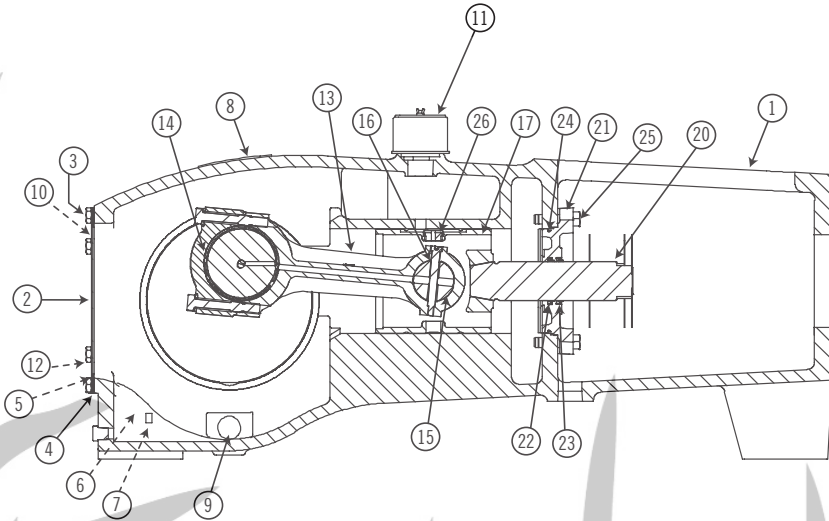
## TROUBLE LOCATION AND REMEDY

Trouble	Possible Cause	Remedy
Excessive heat in power end. (Above 180°F.)	Pump operating backward.	Correct rotation.
	Insufficient oil in power end.	Fill to proper level.
	Excessive oil in power end.	Drain to proper level.
	Incorrect oil viscosity.	Fill with correct oil.
	Overloading.	Reduce load.
	Tight main bearings.	Correct clearance.
	Drive misaligned.	Realign.
	Belts too tight.	Reduce tension.
	Discharge valve of a cylinder(s) stuck open.	Fix valve(s).
	Insufficient cooling.	Provide adequate cooling for oil or reduce ambient temperature.
	Pump speed too low.	Increase speed.



**BUCKHORN  
PUMPS, INC.**

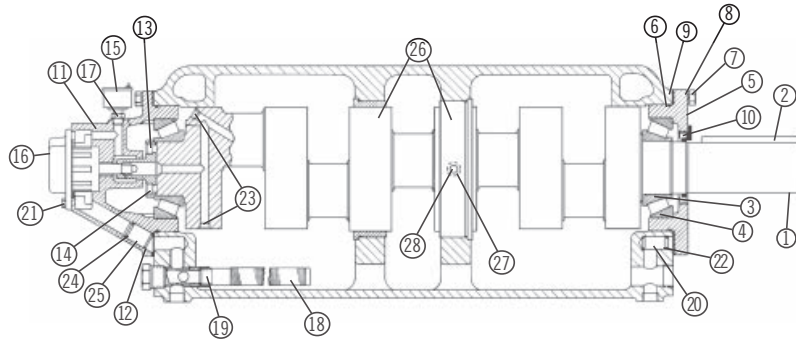
## Power Frame Assembly; Connecting Rod, Crosshead & Wiper Box Assembly



MA-300L, MA-300M			
Item	Quantity	Description	Part Number
1	1	Power Frame	7201-0533-00E
2	1	Crankcase Cover	7201-0544-00B
3	16	1/2" x 3/4" Lg Hh Cap Screw	100-012034-273
4	1	Crankcase Cover Gasket	7201-0545-00B
5	1	Pipe Plug, 1/2" Socket Head	170-012002-237
6	1	Oil Level Sight Gauge	7602-3014-00A
7	1	1/4" Pipe Nipple, 2" Lg	157-014200-235
8	4	Pipe Plug, 1/2" Socket Head	170-012003-237
9	2	Pipe Plug, 3/4" Sq Ctrsk Hd	05022A019
10	1	Pipe Plug, 1-1/4"	05022A047
11	1	Breather Filter	7602-3001-00A
12	1	Pipe Plug, 1/4" Hex Head	170-014002-405
13	5	Assy, Connecting Rod	7201-0534-00D
14	5	Bearing, Crankpin Pair; with Oil Groove	7201-0175-00K
15	5	Wrist Pin	7201-0348-00B
16	5	Wrist Pin Bolt	257-038312-220
17	5	Crosshead, Subassembly	7201-0350-00D
18	(2)	Bushing; Crosshead, Bronze (Replacement)	7602-3008-00B
19	10	Set Screw (not shown)	123-916034-949
20	5	Rod, Extension	7205-0007-10B
21	5	Box, Wiper	7201-0539-00C
22	5	Seal, Wiper, Double-Lip	145-212299-503
23	5	Seal, Wiper, Double-Lip Canned	145-212300-503
24	5	O-ring	110-000260-201
25	10	5/8" x 2-1/4" Lg Hh Cap Screw	100-058214-273
26	5	Plug, Oil; Metering	7201-0349-00A

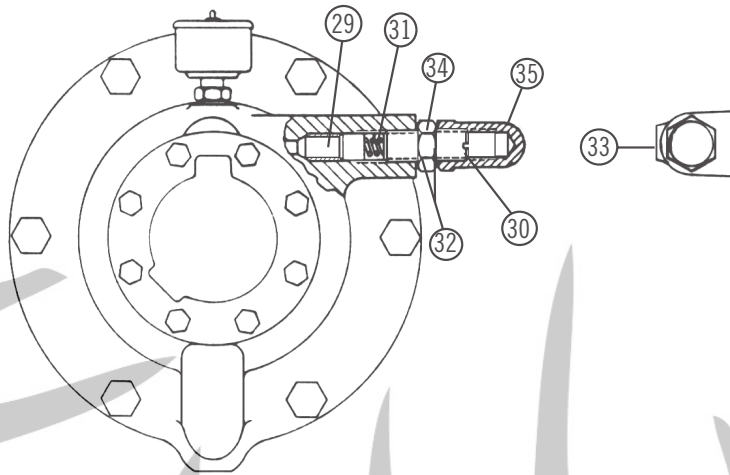


## Crankshaft Assembly 5" Stroke; Right-Hand and Left-Hand Drive; Right-Hand Shown



MA-300L, MA-300M			
Item	Quantity	Description	Part Number
		Crankshaft Assy. (includes items 1 & 2)	PE146K
1	1	Crankshaft	7201-0536-00E
2	1	Drive Key	146-100700-236
		OR	
		Crankshaft KIT (includes items 1, 2, 3, & 4)	PE146KB
3	2	Bearing Cone, Tapered Roller	203-574590-999
4	2	Bearing Cup	202-529590-999
5	1	Bearing Carrier, Drive Side	7201-0004-00C
6	2	O-ring, Nitrile Rubber	001500371
7	6	Cap Screw, Hex Head, 3/4" NC x 2" Lg. Gr. 5	100-034200-273
9	1	Shim Set	7502-0237-00A
10	1	Oil Seal, Drive Side	145-458558-999
11	1	Bearing Carrier, Lube Oil Pump Side Ass'y	7201-0538-00E
	1	includes Shaft Bushing	7204-0320-00A
12	1	Gasket	7201-0546-00B
13	1	Driver, Lube Oil	7201-0543-00B
14	4	1/2" NC x 1" Lg. Socket Hd. Cap Screw, Nylok	272-012100-999
15	1	Switchgauge, Murphy	7509-0008-00A
16	1	Lube Oil Pump	7204-0325-00A
17	1	3/8" x 1/8" Hex Pipe Bushing, Hex, Iron	161-038018-451
18	1	Oil Filter	7602-3005-00A
19	1	1-1/4" Oil Filter Plug	7204-0314-00A
20	1	Frame Plug, Drive Side	7204-0315-00A
21	8	5/16" NC x 7/8" Lg. Hex Hd. Cap Screw	100-516078-273
22	1	O-Ring, Nitrile Rubber	110-000210-201
23	5	3/8" Pipe Plug, Socket Hd.	170-038003-237
24	1	O-Ring, Nitrile Rubber	110-000023-201
25	1	Check Valve, Brass	7509-0012-00A
26	2	Center Bearing	7201-0542-00D
27	2	1/2" NC Flat Head Hex Soc. Cap Screw	188-012300-271
28	2	1/2" NC Locking Nut	151-012013-405

***Lube Assy. 5" Stroke; Right-Hand and Left-Hand Drive, Right-Hand Shown***

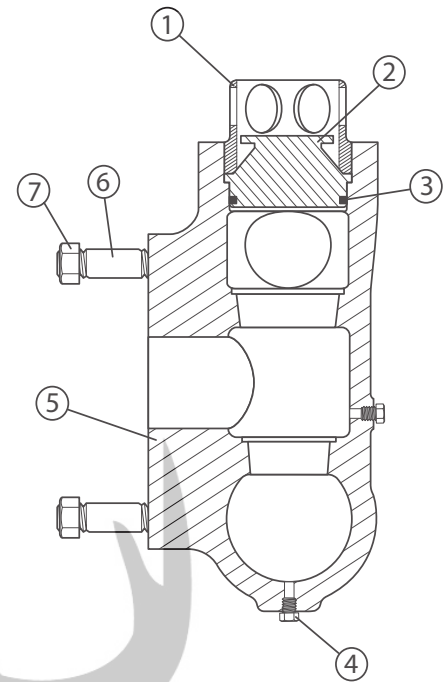


MA-300L, MA-300M			
Item	Quantity	Description	Part Number
29	1	Piston, Relief Valve	7204-0318-00A
30	1	Adjusting Screw, Relief Valve	7204-0317-00A
31	1	Spring, Relief Valve	7204-0319-00A
32	2	Washer	204-013009-206
33	1	1/8" Pipe Plug, Socket Head.	05022A021
34	1	7/8" x 14 Thread Jam Nut, Hex	130-078014-243
35	1	Cap, Relief Valve	7204-0316-00A

**BUCKHORN  
PUMPS, INC.**

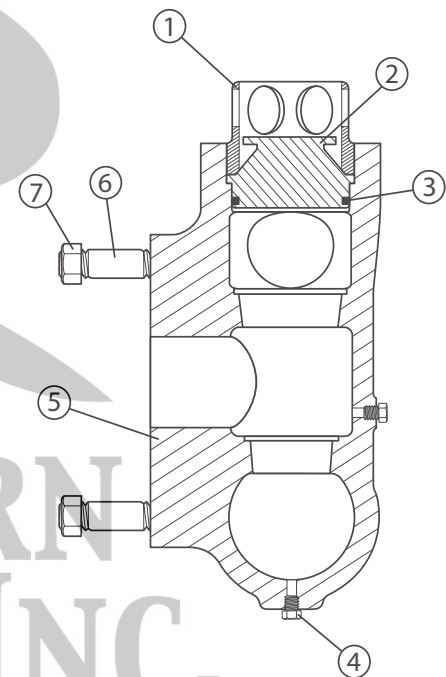
### Fluid End Assembly (Nickel Aluminum Bronze)

MA-300L			
Item	Qty.	Description	Part Number
1	5	Valve Cover Screw	7204-0601-00B
2	5	Valve Cover	7204-0602-00B
3	5	O-Ring	110-000246-201
4	5	1/4" Hex Hd. Pipe Plug, S.S.	170-014002-405
5	1	Liquid End, Al. Brz.	7201-0562-00K
6	20	1-1/4" x 6-1/4" Stuffing Box Studs	7507-2738-00A
7	20	1-1/4"-8 Thrd. Heavy Hex Nut	141-114008-243
8	16	7/8" x 4-1/4" Stud, Discharge Flange	7507-2736-00A
9	16	7/8"-9 Thrd. Heavy Hex Nut	133-078009-243
10	16	3/4" x 3-1/2" Stud, Suction Flange	7507-2735-00A
11	16	3/4"-10 Thrd. Heavy Hex Nut	133-034010-243
12	2	1-3/4" x 14-1/8" Stud, Liquid End to Power End	7201-0565-00B
13	2	1-3/4"-5 Thrd Heavy Hex Nut	133-134005-243
14	3	1/2" Hex Hd. Pipe Plug	170-012002-405

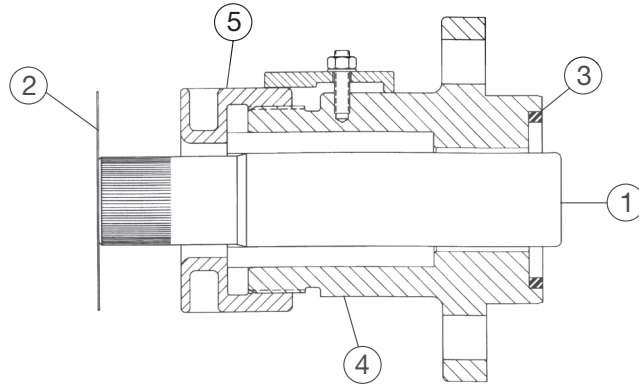


### Fluid End Assembly (Nickel Aluminum Bronze)

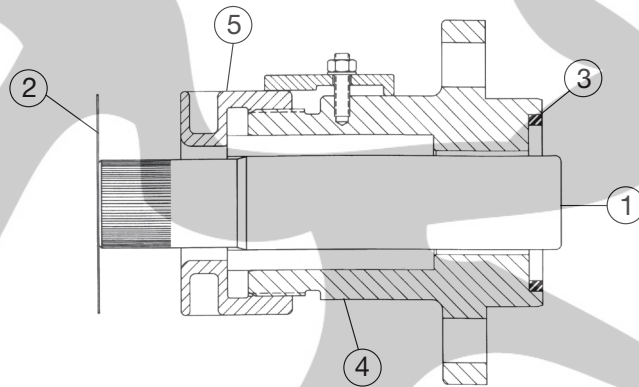
MA-300M			
Item	Qty.	Description	Part Number
1	5	Valve Cover Screw	7201-0564-00B
2	5	Valve Cover	7201-0563-00B
3	5	O-Ring	110-000341-201
4	5	1/4" Hex Hd. Pipe Plug, S.S.	170-014002-405
5	1	Liquid End, Al. Brz.	7201-0566-00K
6	20	1-1/4" x 6-1/4" Stuffing Box Studs	7507-2738-00A
7	20	1-1/4"-8 Thrd. Heavy Hex Nut	141-114008-243
8	16	1-1/8" x 5" Stud, Discharge Flange	7201-0567-00A
9	16	1-1/8"-7 Thrd. Heavy Hex Nut	133-118007-243
10	16	3/4" x 3-1/2" Stud, Suction Flange	7507-2735-00A
11	16	3/4"-10 Thrd. Heavy Hex Nut	133-034010-243
12	2	1-3/4" x 13-1/8" Stud, Liquid End to Power End	7201-0568-00B
13	2	1-3/4"-5 Thrd Heavy Hex Nut	133-134005-243
14	3	1/2" Hex Hd. Pipe Plug	170-012002-405



## STUFFING BOX ASSEMBLY



Qty. 5 per pump ea.							
MA-300L							
PLUNGER DIAMETER	1 PLUNGER, CHROME-OXIDE	2 BAFFLE	3 STUFFING BOX SEAL, NITRILE RUBBER	4 STUFFING BOX STEEL	4 STUFFING BOX AL., BRZ.	5 GLAND STEEL	5 GLAND AL., BRZ.
4"	7201-0325-32B	7201-0039-00A	7201-0007-00A	7201-0584-00B	7201-0054-10C	7201-0582-00B	7201-0002-00B
3-7/8"	7201-0325-31B	7201-0039-00A	7201-0007-00A	7201-0584-00B	7201-0054-10C	7201-0582-00B	7201-0002-00B
3-3/4"	7201-0325-30B	7201-0039-00A	7201-0007-00A	7201-0584-00B	7201-0054-10C	7201-0582-00B	7201-0002-00B
3-5/8"	7201-0325-29B	7201-0039-00A	7201-0007-00A	7201-0584-00B	7201-0054-10C	7201-0582-00B	7201-0002-00B
3-1/2"	7201-0325-28B	7201-0039-00A	7201-0007-00A	7201-0790-00C	7201-0050-10C	7201-0791-02B	7201-0001-00B
3-3/8"	7201-0325-27B	7201-0039-00A	7201-0007-00A	7201-0790-00C	7201-0050-10C	7201-0791-02B	7201-0001-00B
3-1/4"	7201-0325-26B	7201-0039-00A	7201-0007-00A	7201-0790-00C	7201-0050-10C	7201-0791-02B	7201-0001-00B
3-1/8"	7201-0325-25B	7201-0039-00A	7201-0007-00A	7201-0576-00B	7201-0067-10C	7204-0376-00B	7204-0051-00B
3"	7201-0325-24B	7201-0039-00A	7201-0007-00A	7201-0576-00B	7201-0067-10C	7204-0376-00B	7204-0051-00B
2-7/8"	7201-0325-23B	7201-0039-00A	7201-0007-00A	7201-0576-00B	7201-0067-10C	7204-0376-00B	7204-0051-00B
GLAND NUT WRENCH 7201-0342-00B							



Qty. 5 per pump ea.							
MA-300M							
PLUNGER DIAMETER	1 PLUNGER, CHROME-OXIDE	2 BAFFLE	3 STUFFING BOX SEAL, NITRILE RUBBER	4 STUFFING BOX STEEL	4 STUFFING BOX AL., BRZ.	5 GLAND STEEL	5 GLAND AL., BRZ.
2-3/4"	7201-0325-22B	7201-0039-00A	7201-0033-00A	7201-0590-10B	7201-0026-10B	7201-0591-10B	7201-0025-00B
2-5/8"	7201-0325-21B	7201-0039-00A	7201-0033-00A	7201-0590-10B	7201-0026-10B	7201-0591-10B	7201-0025-00B
2-1/2"	7201-0325-20B	7201-0039-00A	7201-0033-00A	7201-0590-10B	7201-0026-10B	7201-0591-10B	7201-0025-00B
2-3/8"	7201-0325-19B	7201-0039-00A	7201-0033-00A	7201-0590-10B	7201-0026-10B	7201-0591-10B	7201-0025-00B
2-1/4"	7201-0325-18B	7201-0039-00A	7201-0033-00A		7201-0038-10C		7201-0068-00B
2-1/8"	7201-0325-17B	7201-0039-00A	7201-0033-00A		7201-0038-10C		7201-0068-00B
2"	7201-0325-16B	7201-0039-00A	7201-0033-00A		7201-0038-10C		7201-0068-00B
1-7/8"	7201-0325-15B	7201-0039-00A	7201-0033-00A		7201-0038-10C		7201-0068-00B
1-3/4"	7201-0325-14B	7201-0039-00A	7201-0033-00A		7201-0038-10C		7201-0068-00B
GLAND NUT WRENCH 7201-0342-00B							



**THIS PAGE INTENTIONALLY LEFT BLANK**

**BUCKHORN  
PUMPS, INC.**



**THIS PAGE INTENTIONALLY LEFT BLANK**

**BUCKHORN  
PUMPS, INC.**



**THIS PAGE INTENTIONALLY LEFT BLANK**

**BUCKHORN  
PUMPS, INC.**

## STANDARD LIMITED WARRANTY CENTRIFUGAL & RECIPROCATING PUMPS

Pentair Myers® warrants its products against defects in material and workmanship for a period of 12 months from the date of shipment from Pentair Myers or 18 months from the manufacturing date, whichever occurs first – provided that such products are used in compliance with the requirements of the Pentair Myers catalog and technical manuals.

During the warranty period and subject to the conditions set forth, Pentair Myers, at its discretion, will repair or replace to the original user, the parts that prove defective in materials and workmanship. Pentair Myers reserves the right to change or improve its products or any portions thereof without being obligated to provide such a change or improvement for prior sold and/or shipped units.

Seals, piston cups, packing, plungers, liners and valves used for handling clear, fresh, nonaerated water at a temperature not exceeding 120°F are warranted for ninety days from date of shipment. All other applications are subject to a thirty day warranty. Accessories such as motors, engines and auxiliary equipment are warranted by the respective manufacturer and are excluded in this standard warranty. Under no circumstance will Pentair Myers be responsible for the cost of field labor, travel expenses, rented equipment, removal/reinstallation costs or freight expenses to and from the factory or an authorized Pentair Myers service facility.

This limited warranty will not apply: (a) to defects or malfunctions resulting from failure to properly install, operate or maintain the unit in accordance with the printed instructions provided; (b) to failures resulting from abuse, accident or negligence; (c) to normal maintenance services and parts used in connection with such service; (d) to units that are not installed in accordance with applicable local codes, ordinances and good trade practices; (e) if the unit is moved from its original installation location; (f) if unit is used for purposes other than for what it is designed and manufactured; (g) to any unit that has been repaired or altered by anyone other than Pentair Myers or an authorized Pentair Myers service provider; (h) to any unit that has been repaired using non factory specified/OEM parts.

Warranty Exclusions: PENTAIR MYERS MAKES NO EXPRESS OR IMPLIED WARRANTIES THAT EXTEND BEYOND THE DESCRIPTION ON THE FACE HEREOF. PENTAIR MYERS SPECIFICALLY DISCLAIMS THE IMPLIED WARRANTIES OF MERCHANTABILITY AND FITNESS FOR ANY PARTICULAR PURPOSE.

Liability Limitation: IN NO EVENT SHALL PENTAIR MYERS BE LIABLE OR RESPONSIBLE FOR CONSEQUENTIAL, INCIDENTAL OR SPECIAL DAMAGES RESULTING FROM OR RELATED IN ANY MANNER TO ANY PENTAIR MYERS PRODUCT OR PARTS THEREOF. PERSONAL INJURY AND/OR PROPERTY DAMAGE MAY RESULT FROM IMPROPER INSTALLATION. PENTAIR MYERS DISCLAIMS ALL LIABILITY, INCLUDING LIABILITY UNDER THIS WARRANTY, FOR IMPROPER INSTALLATION. PENTAIR MYERS RECOMMENDS INSTALLATION BY PROFESSIONALS.

Some states do not permit some or all of the above warranty limitations or the exclusion or limitation of incidental or consequential damages and therefore such limitations may not apply to you. No warranties or representations at any time made by any representatives of Pentair Myers shall vary or expand the provision hereof.



**MYERS®**  
**MYERS® APLEX SERIES**

1101 MYERS PARKWAY  
ASHLAND, OHIO, USA 44805  
419-289-1144

[WWW.FEMYERS.COM](http://WWW.FEMYERS.COM)

Warranty Rev. 12/13

# BUCKHORN PUMPS, INC.